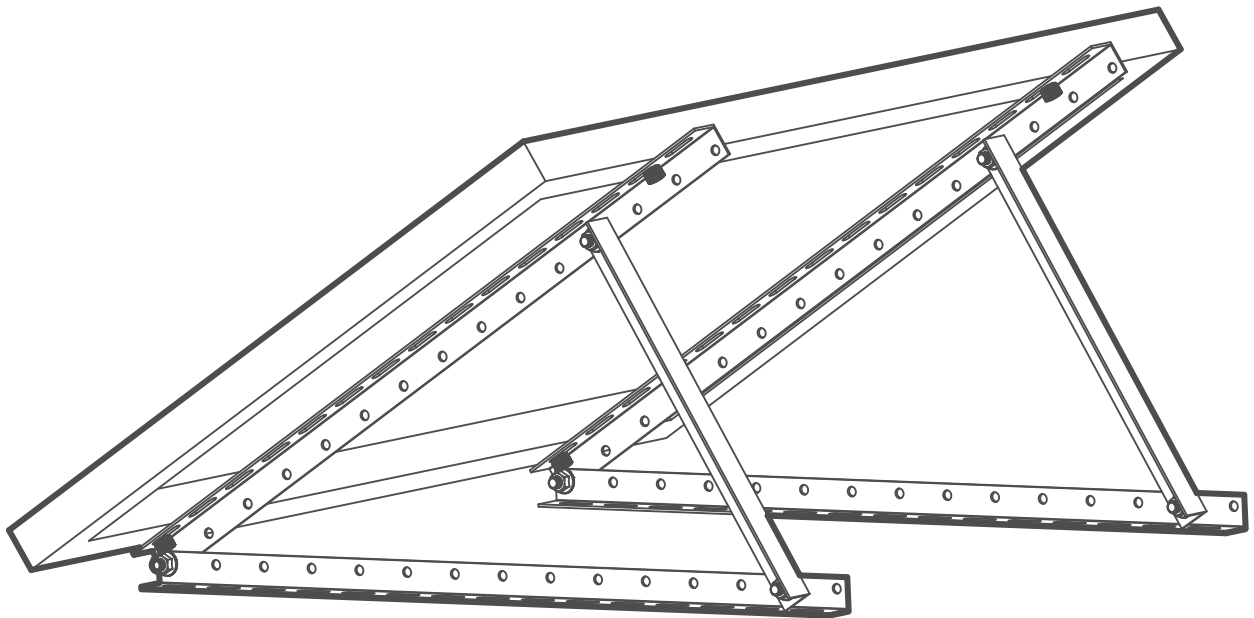


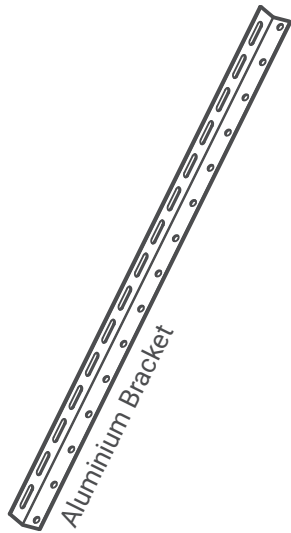
ES-AHV Serie

ES-AHV 01

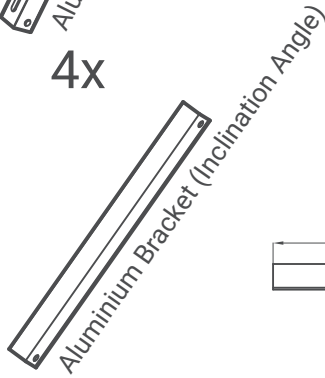
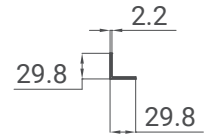
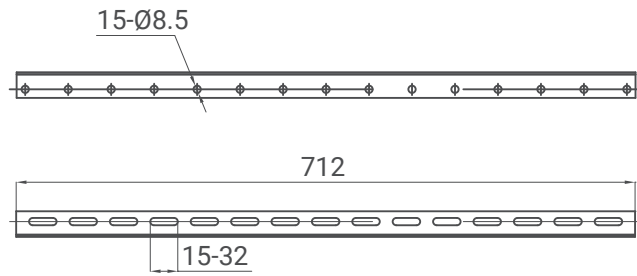


Art.-Nr. :5410001

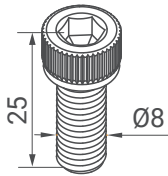
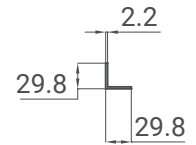




4x

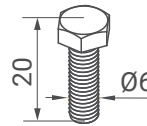
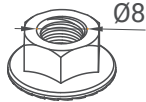


2x



M8 Allen® Head Screw

6x



M6 Hexagonal Bolt

4x



Tools (not included) :



Allen® Key

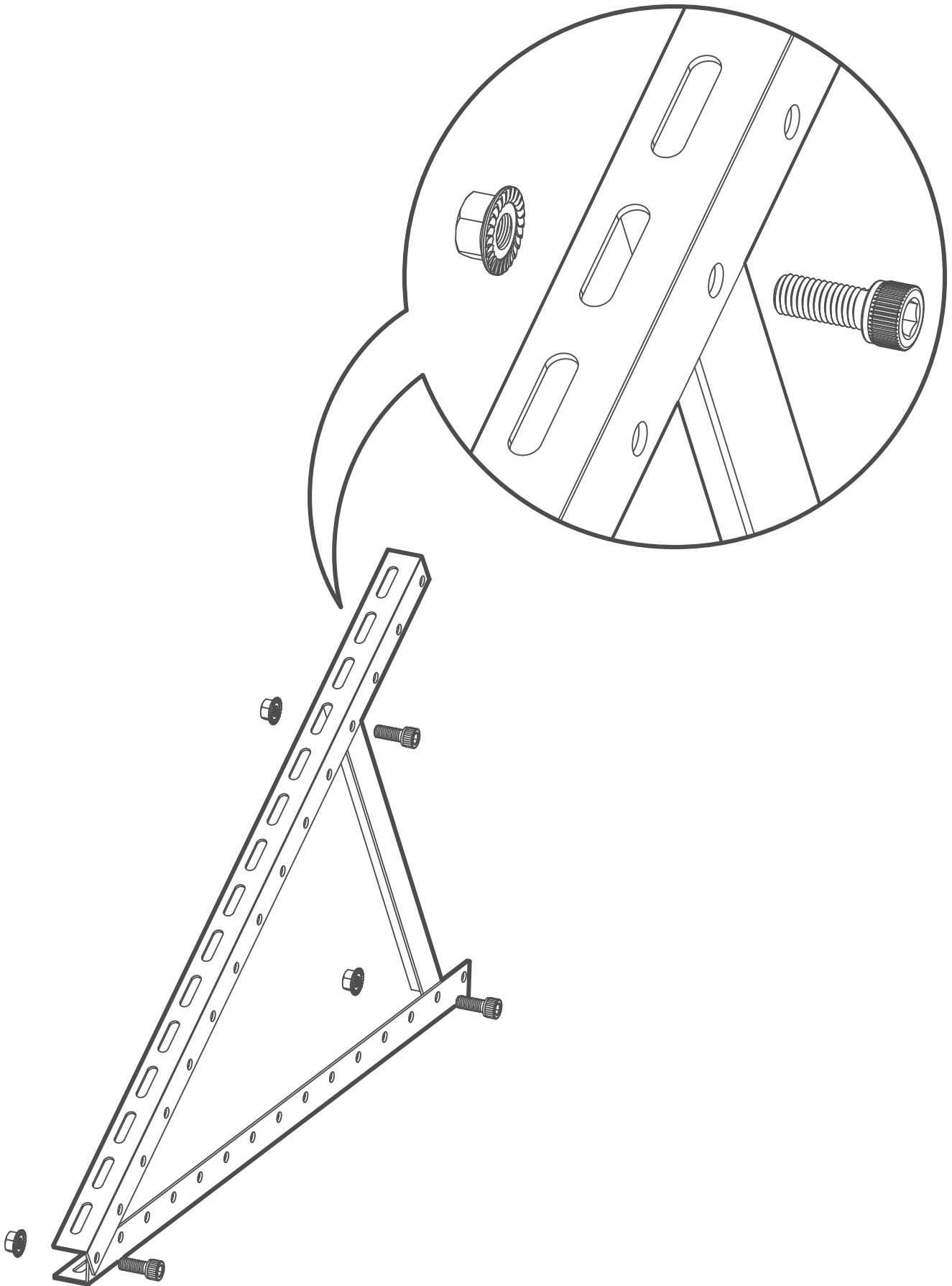


Adjustable wrench

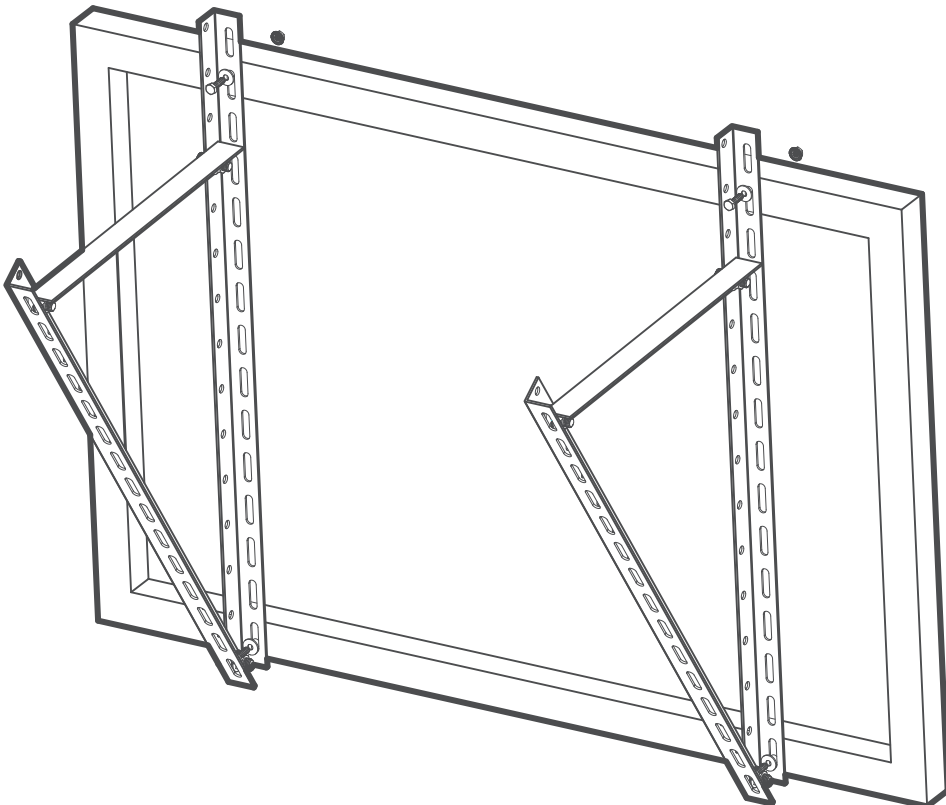
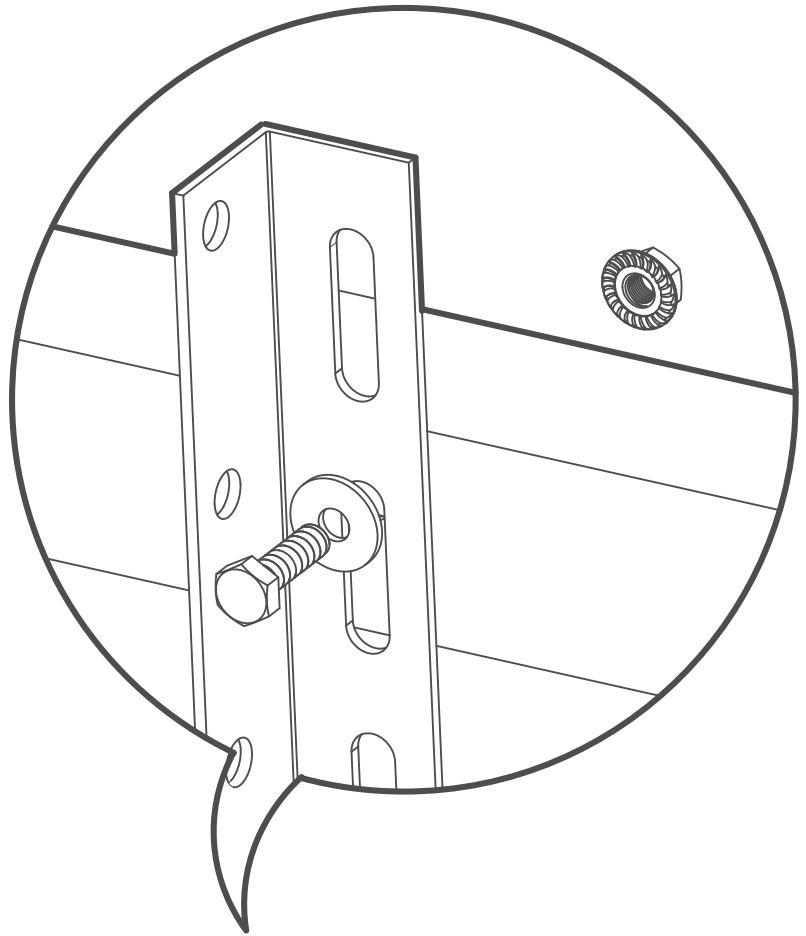


Cordless Screwdriver

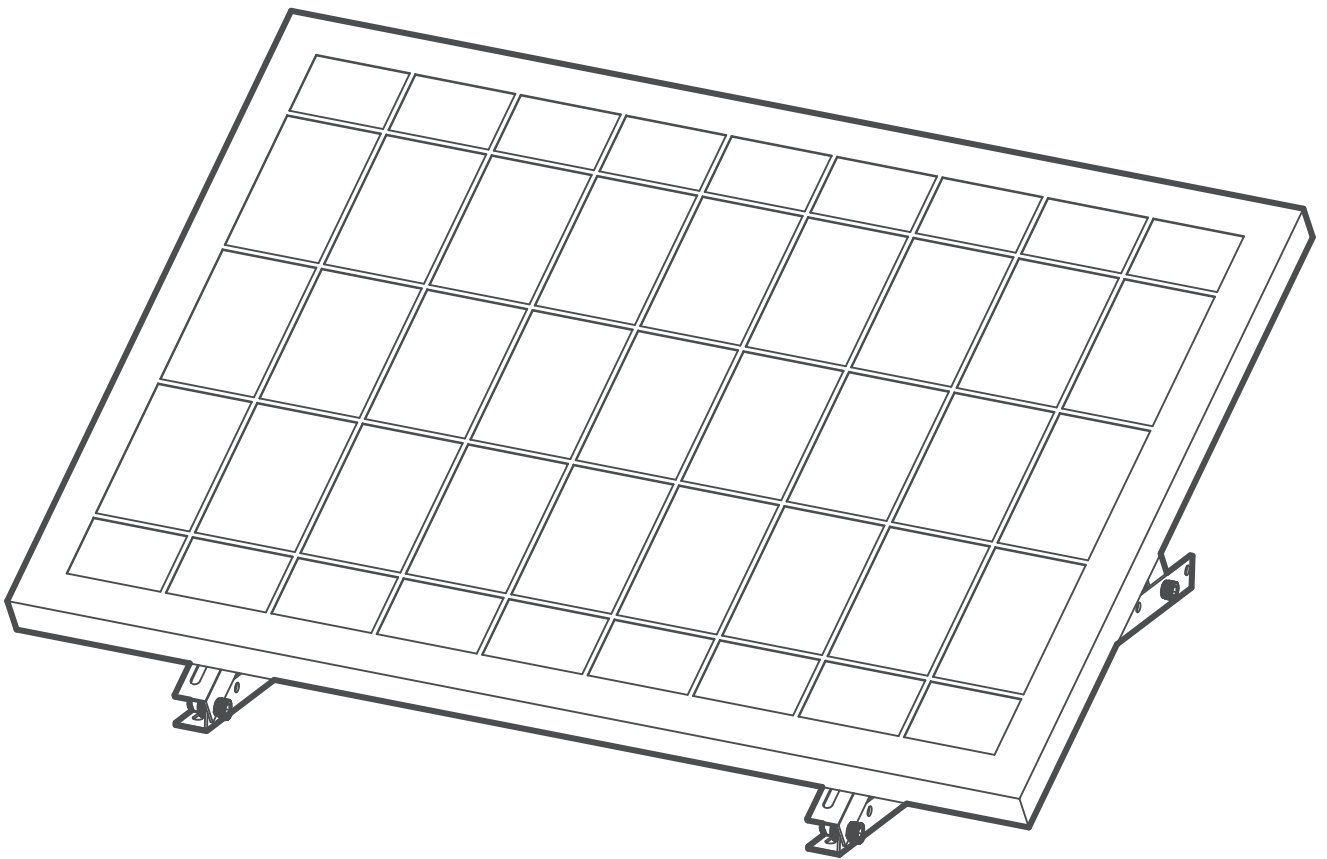
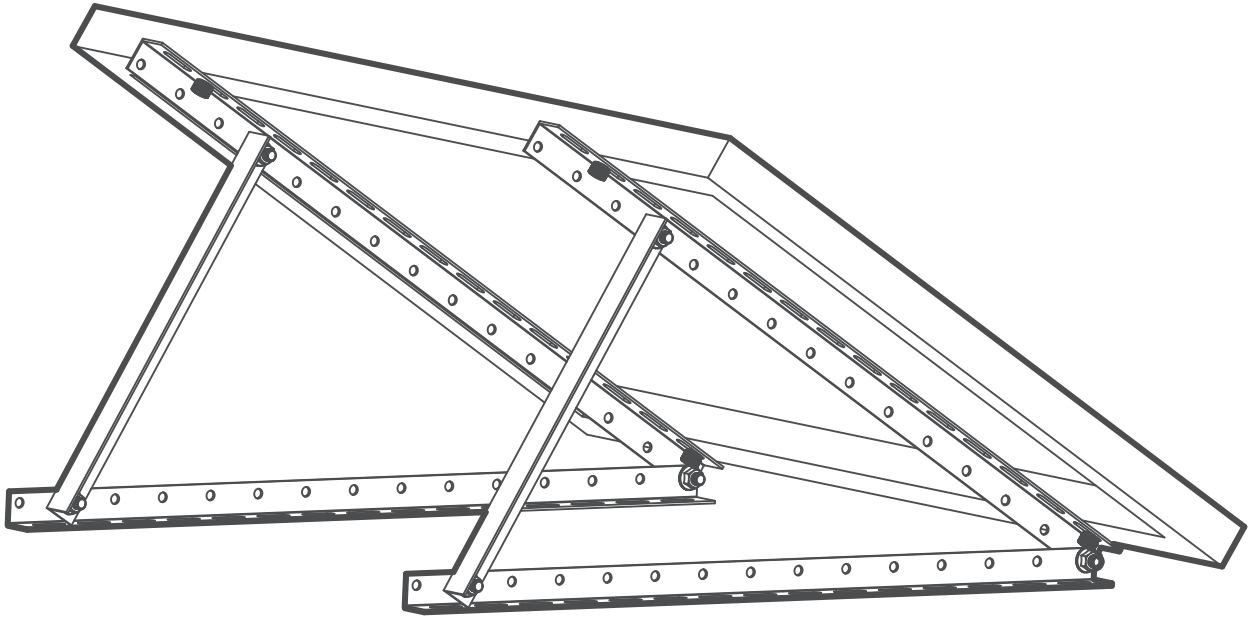
1 Mount the aluminium brackets and the Aluminium bracket (inclination angle) as shown in the picture below with the M8 Bolts.

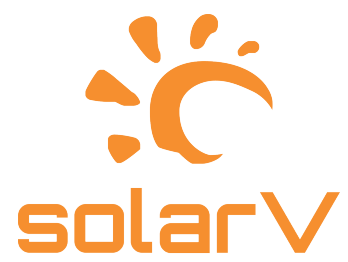


2 Place the solar panel horizontally on the ground and mount the triangular bracket with the M6 bolts onto the solar panel.



3 Completed!





Power your life !



SolarV GmbH
info@solarv.de
www.solarv.de