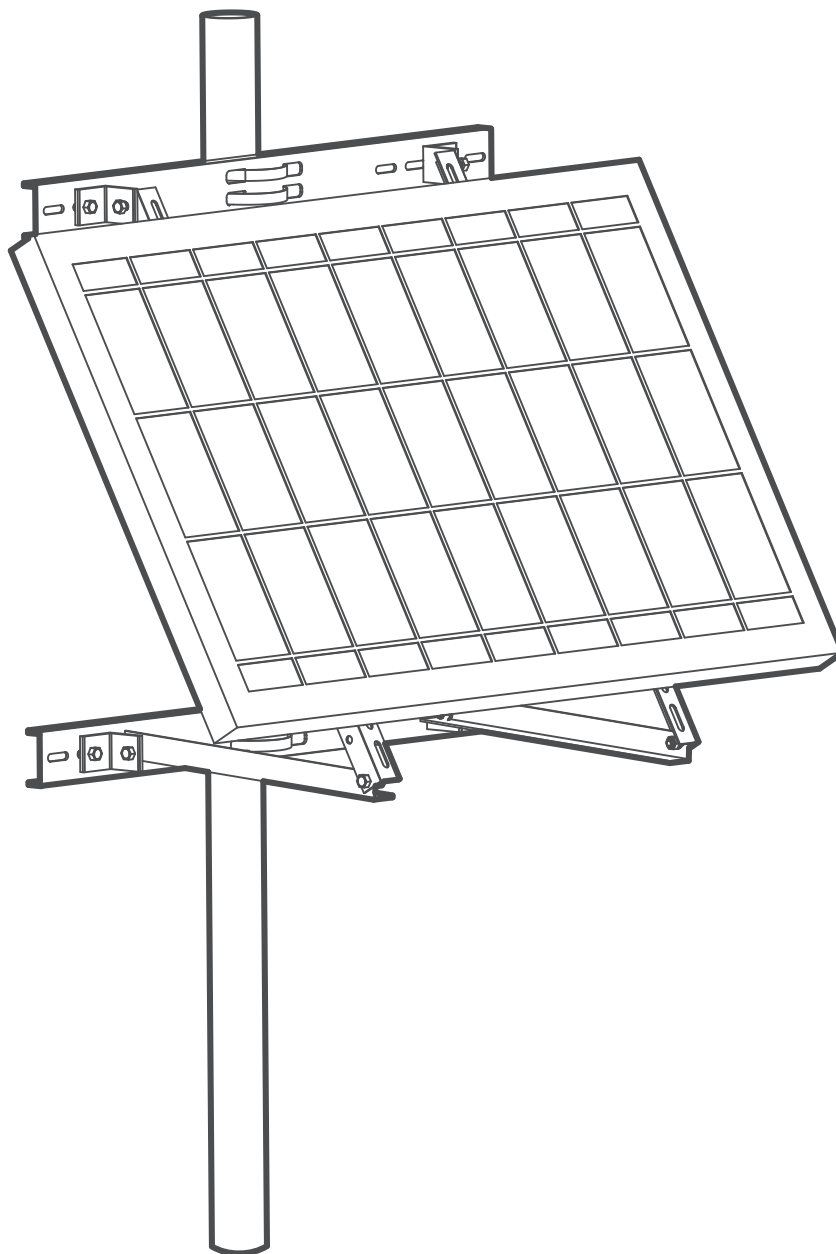


# ES-AHV serie

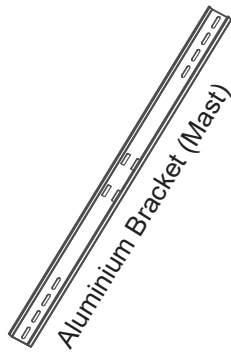
ES-AHV 04



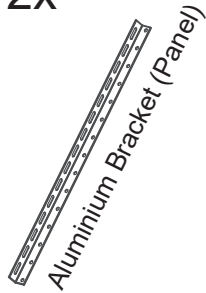
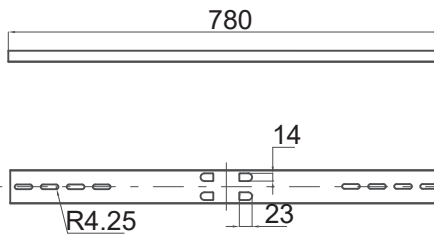
Art.-Nr. :5410004



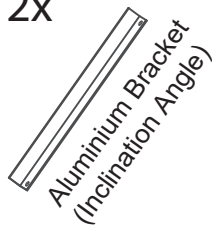
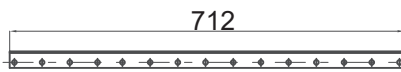
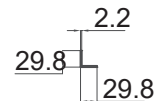
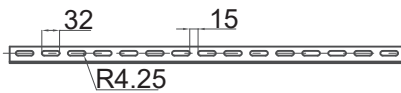
  
solarV



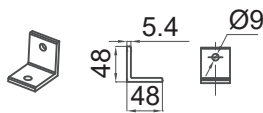
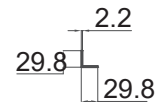
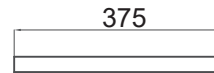
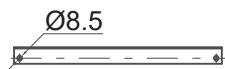
2x



2x



2x



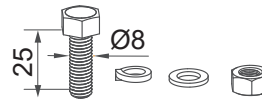
L-Bracket

4x



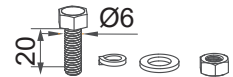
Hose Clamp

4x



M8 Hexagonal Bolt

10x



M6 Hexagonal Bolt

4x

Tools (not included):

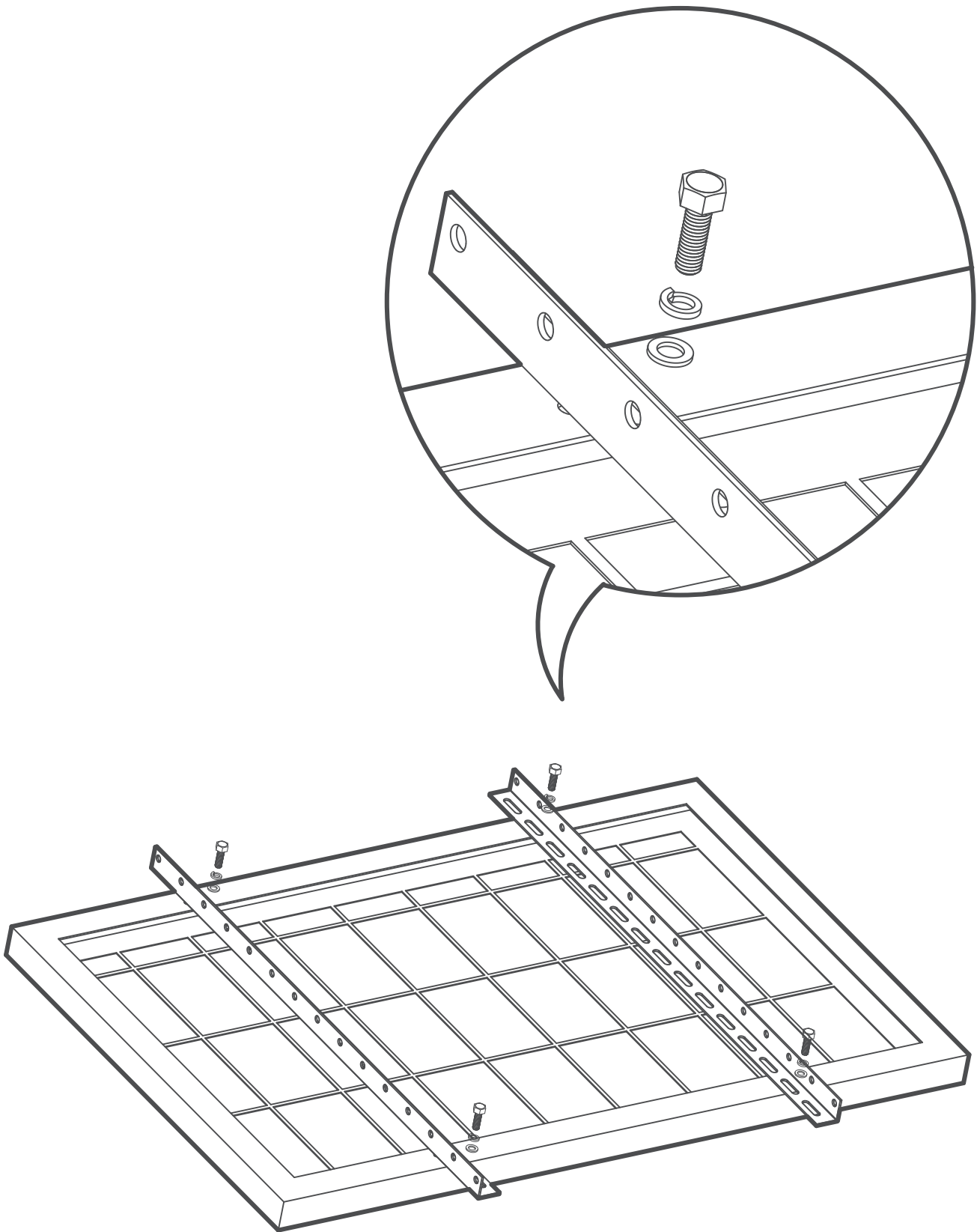


Open-End Wrench  
for Sizes M6 and M8



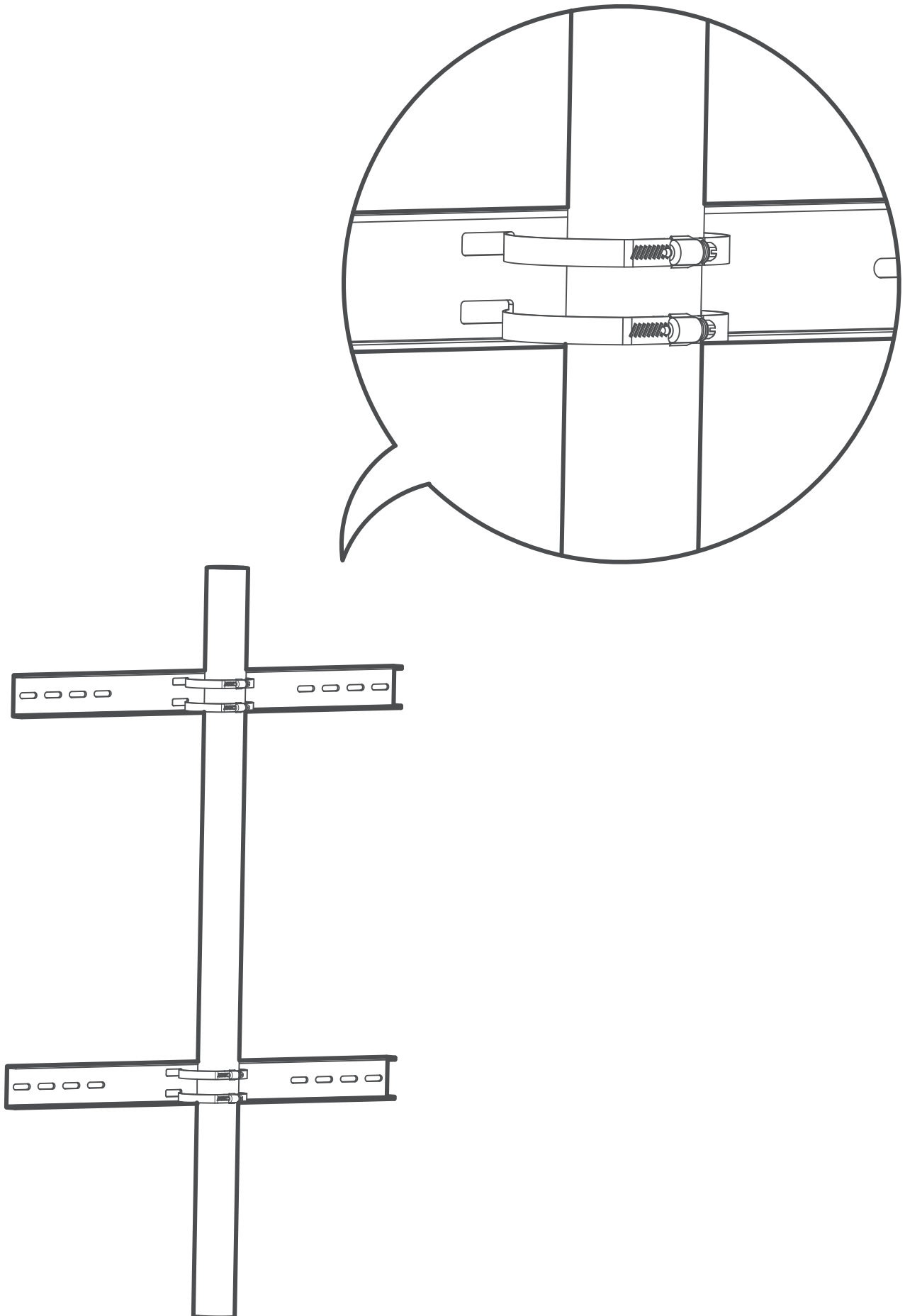
Cordless Screwdriver

1 Use the M6 bolts to mount the mounting holes of the panel frames onto the aluminium brackets.



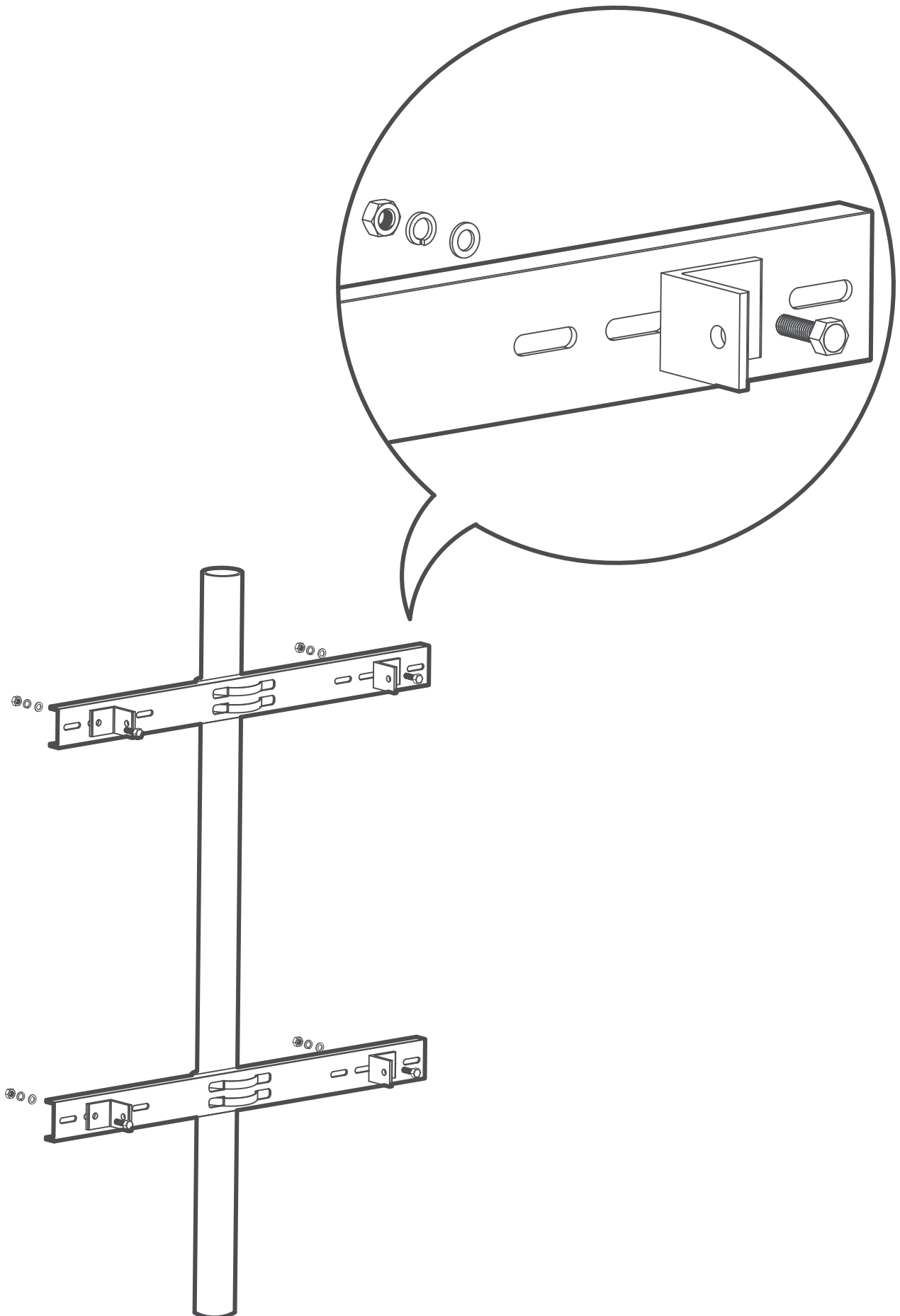
# 2

Mount the aluminium brackets to the mast with the hose clamps.



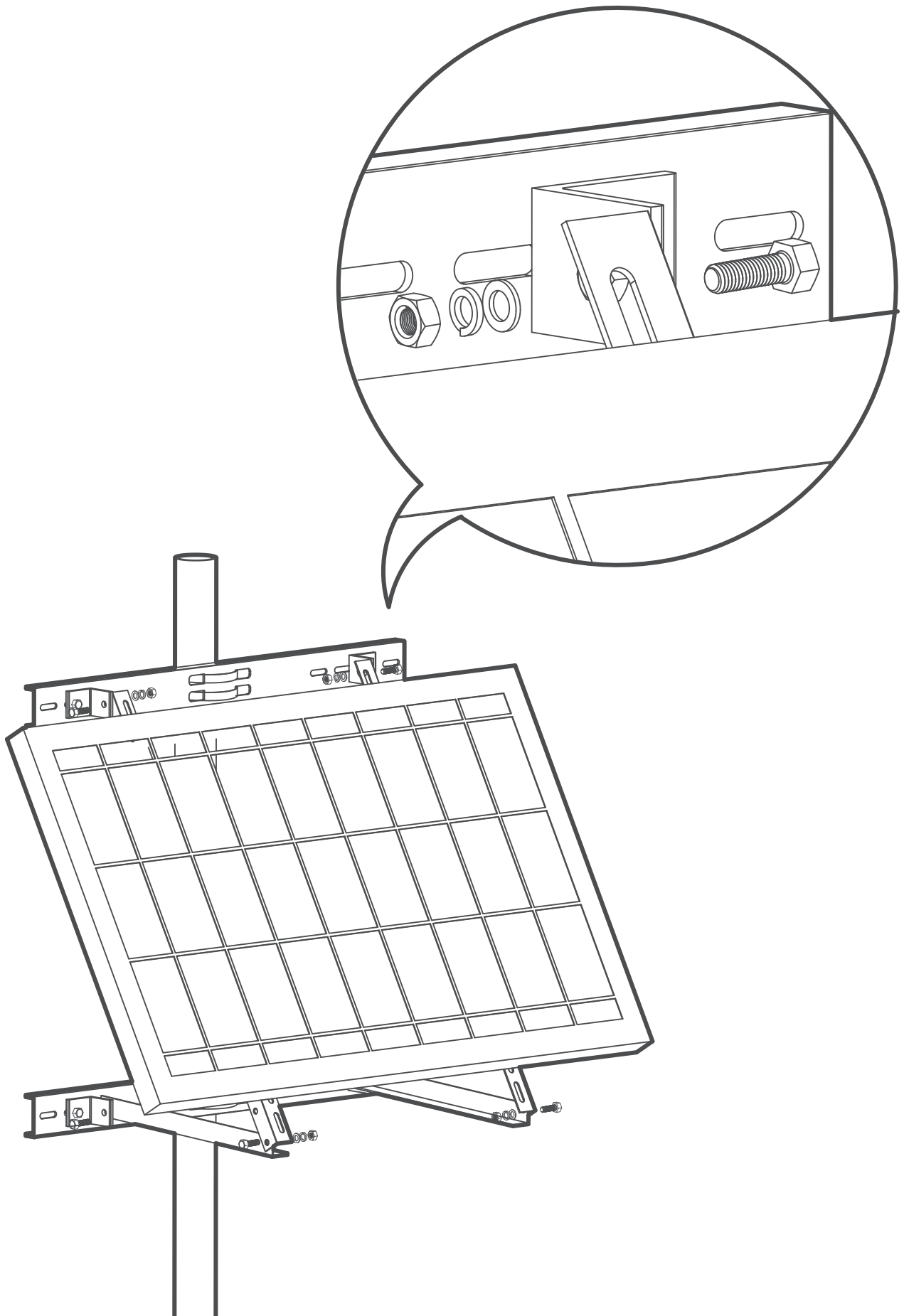
# 3

Mount the L-brackets to the aluminium brackets with the M8 bolts.

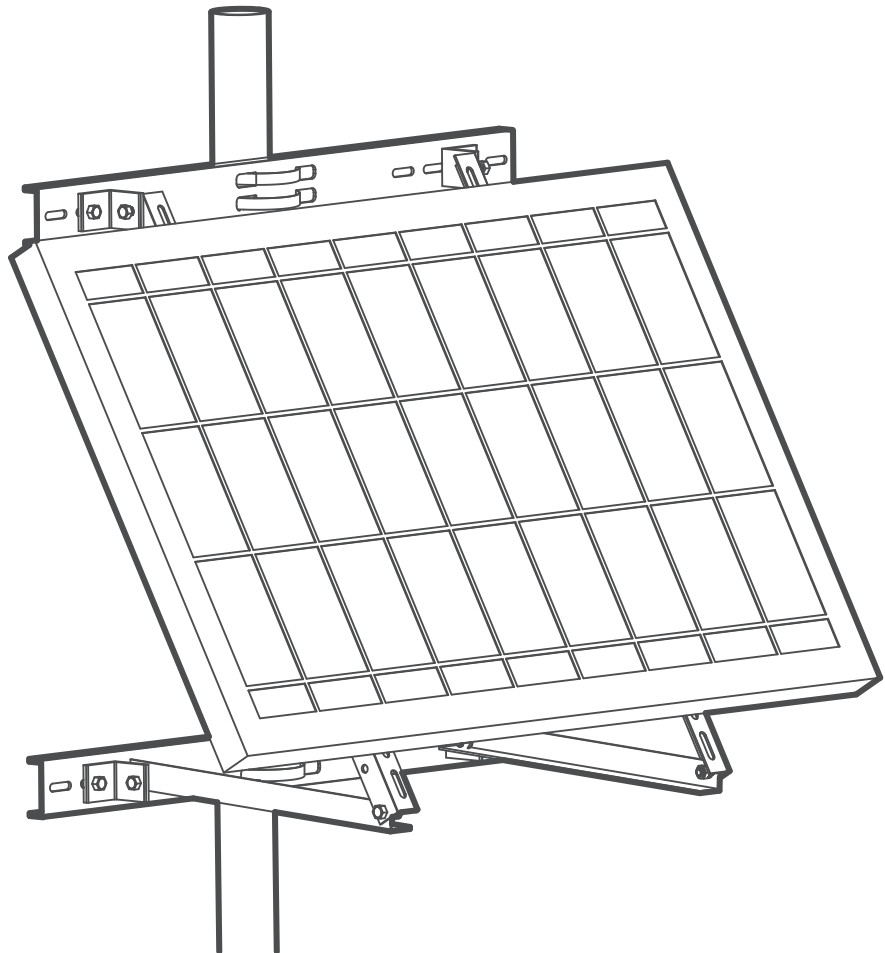
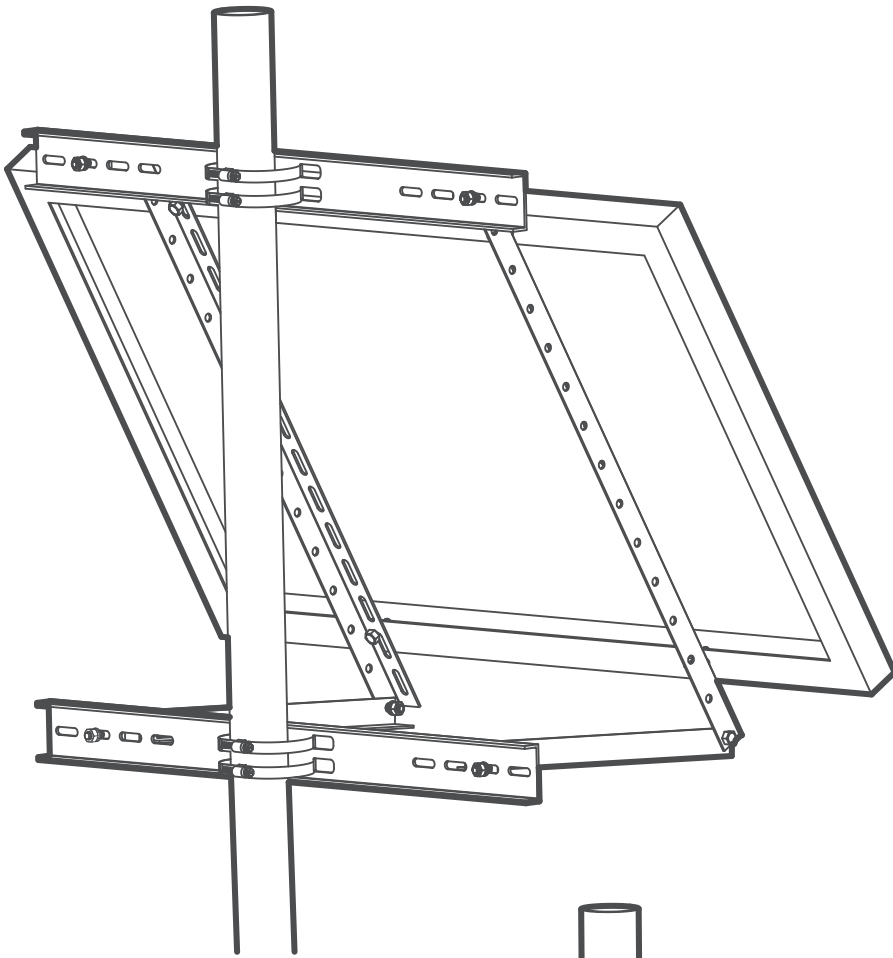


# 4

Mount the aluminium brackets (panel) to the L-brackets with M8 bolts.



# 5 Completed





Power your life !



**SolarV GmbH**  
info@solarv.de  
www.solarv.de