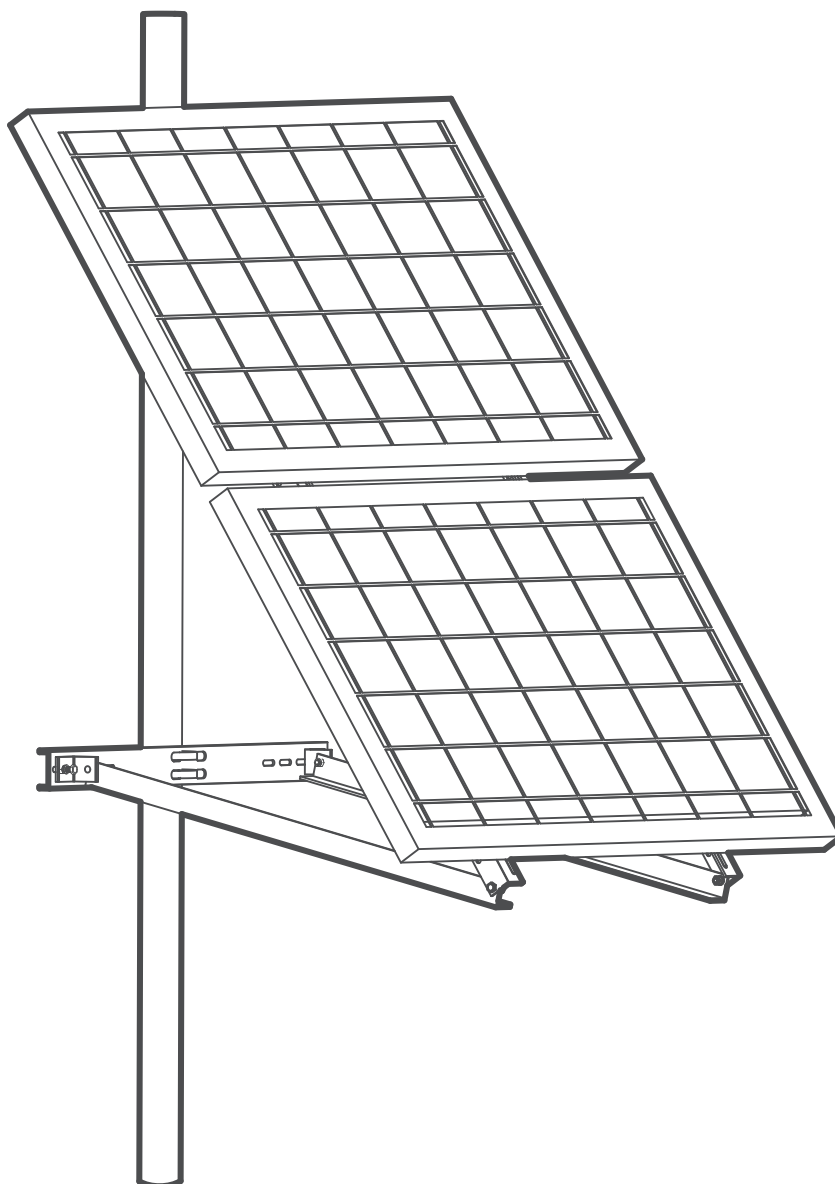


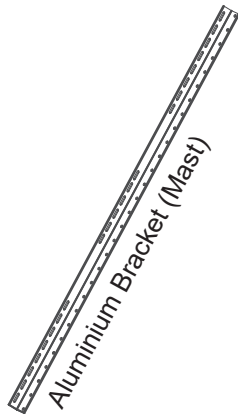
# ES-AHV serie

ES-AHV 05

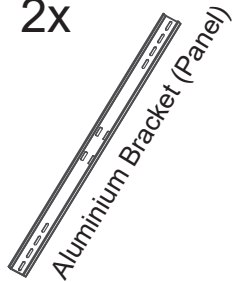
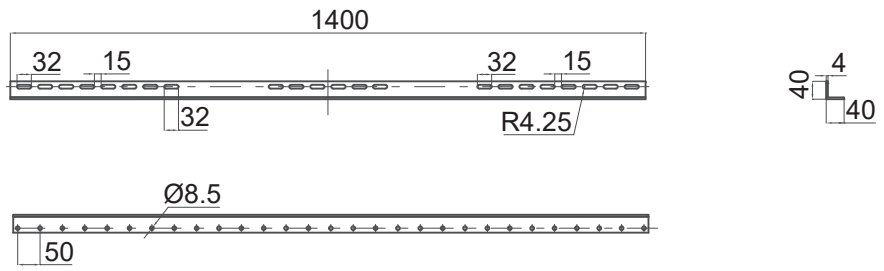


Art.-Nr. :5410005





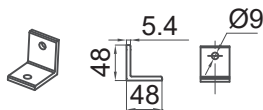
2x



2x



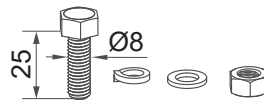
2x



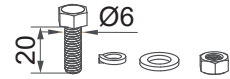
L-Bracket  
4x



Hose Clamp  
4x



M8 Hexagonal Bolt  
10x



M6 Hexagonal Bolt  
8x

Tools ( not included ) :



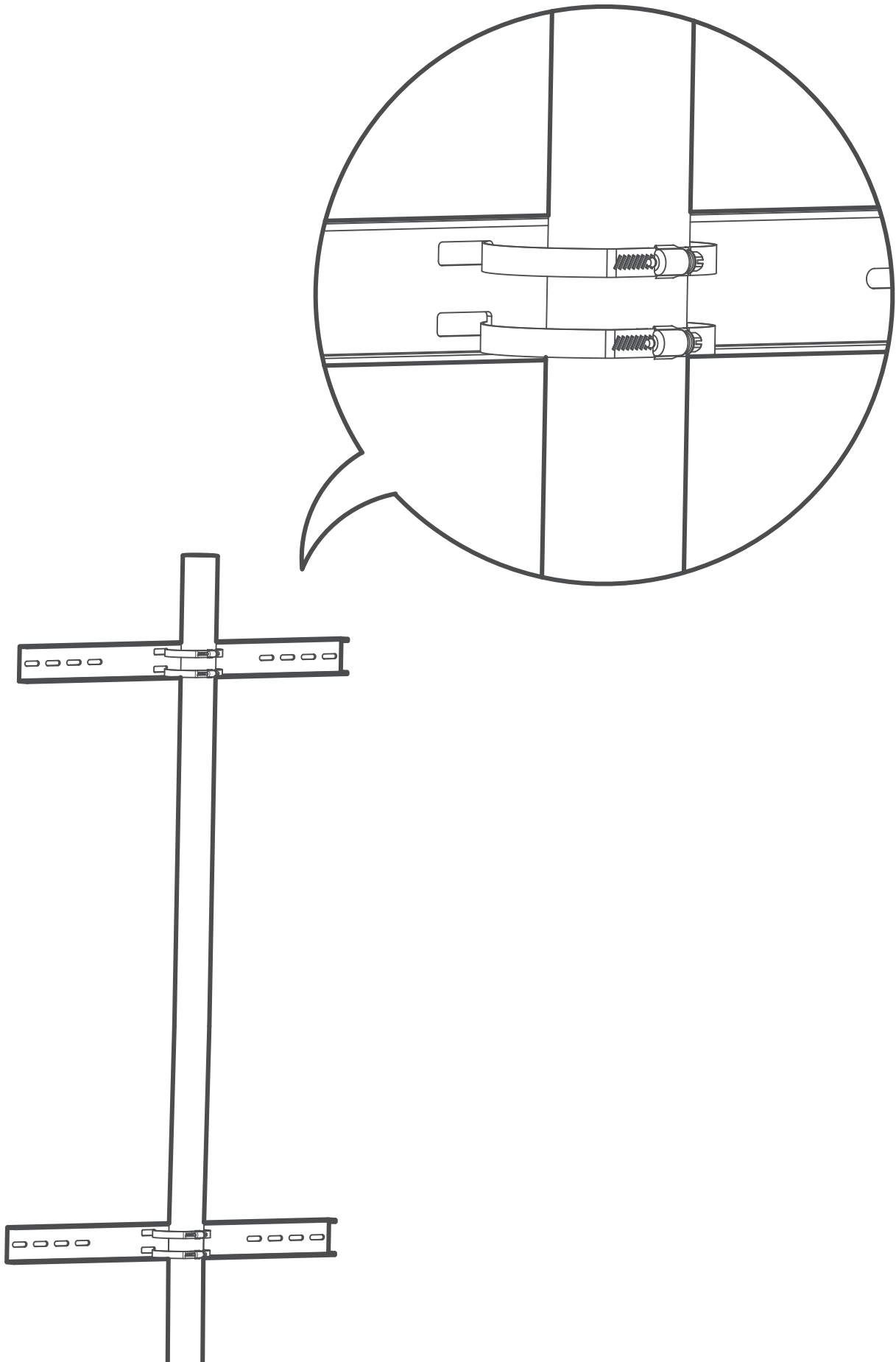
Open-End Wrench  
for Sizes M6 and M8



Cordless Screwdriver

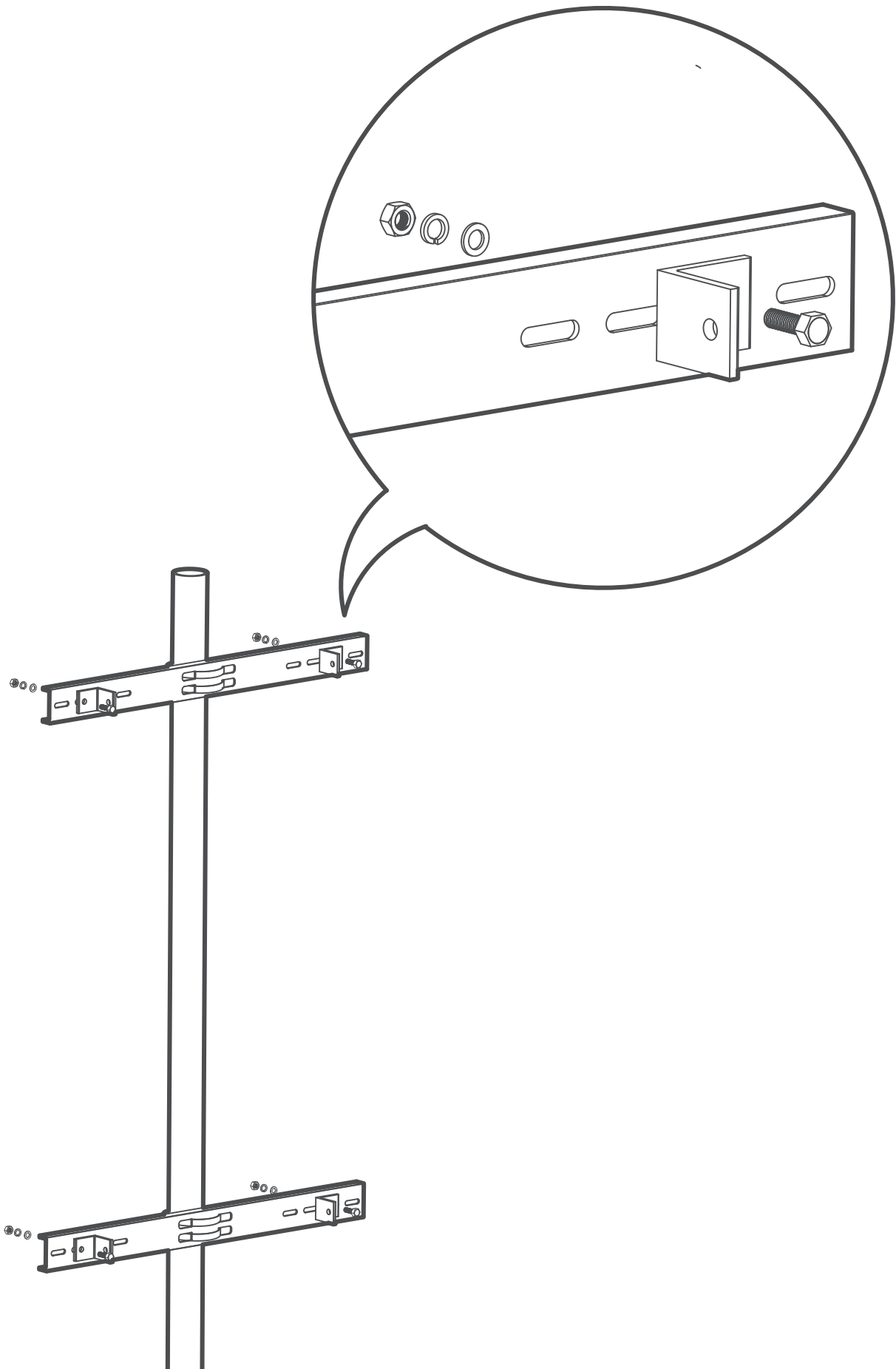
# 1

Mount the aluminium brackets to the mast with the hose clamps.



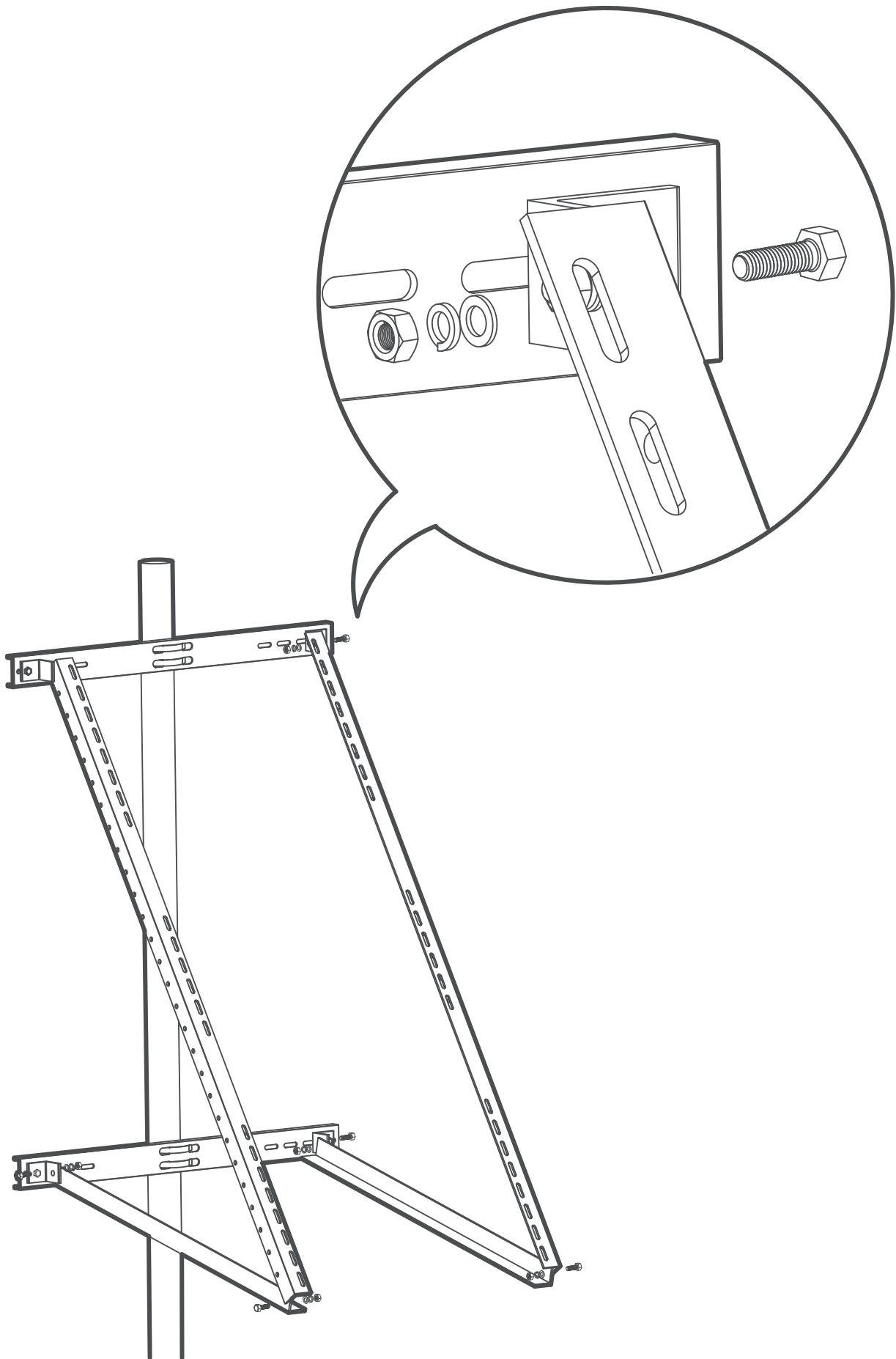
# 2

Mount the L-brackets to the aluminium brackets with the M8 bolts.



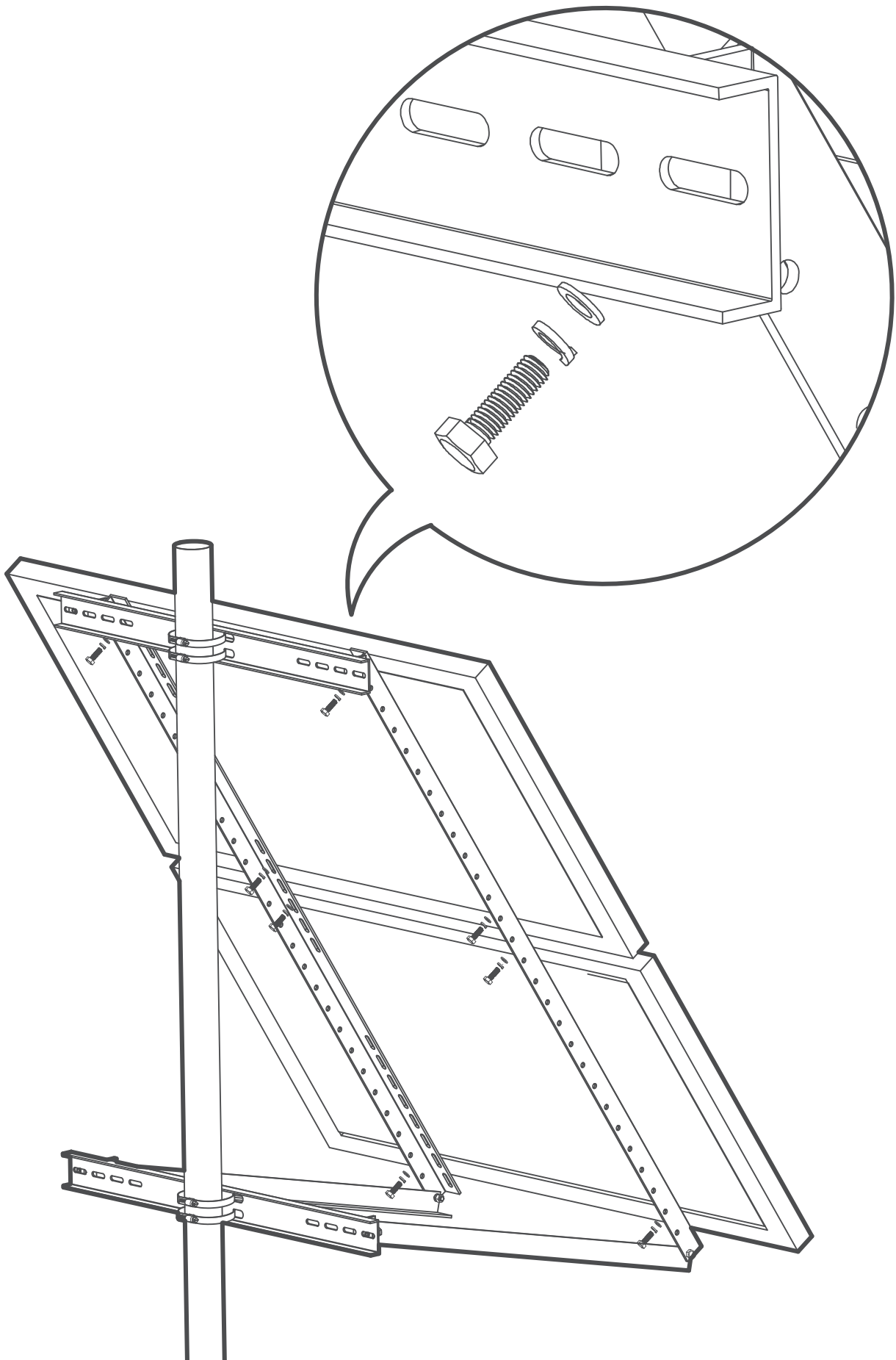
# 3

Mount the aluminium brackets (panel) to the L-brackets with M8 bolts.



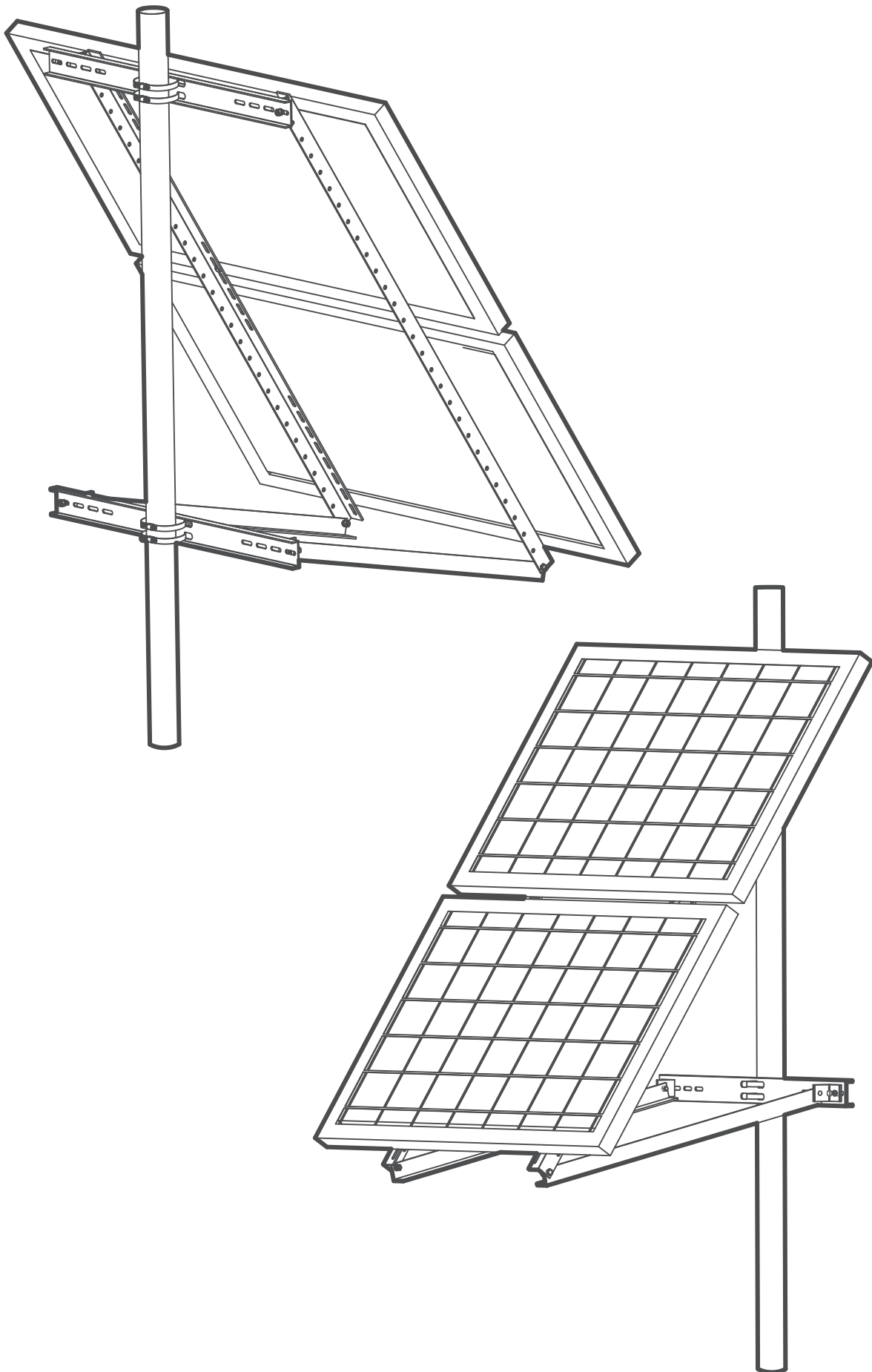
# 4

Use the M6 bolts to mount the mounting holes of the panel frames onto the aluminium brackets.



# 5

Completed





Power your life !



**SolarV GmbH**  
info@solarv.de  
www.solarv.de