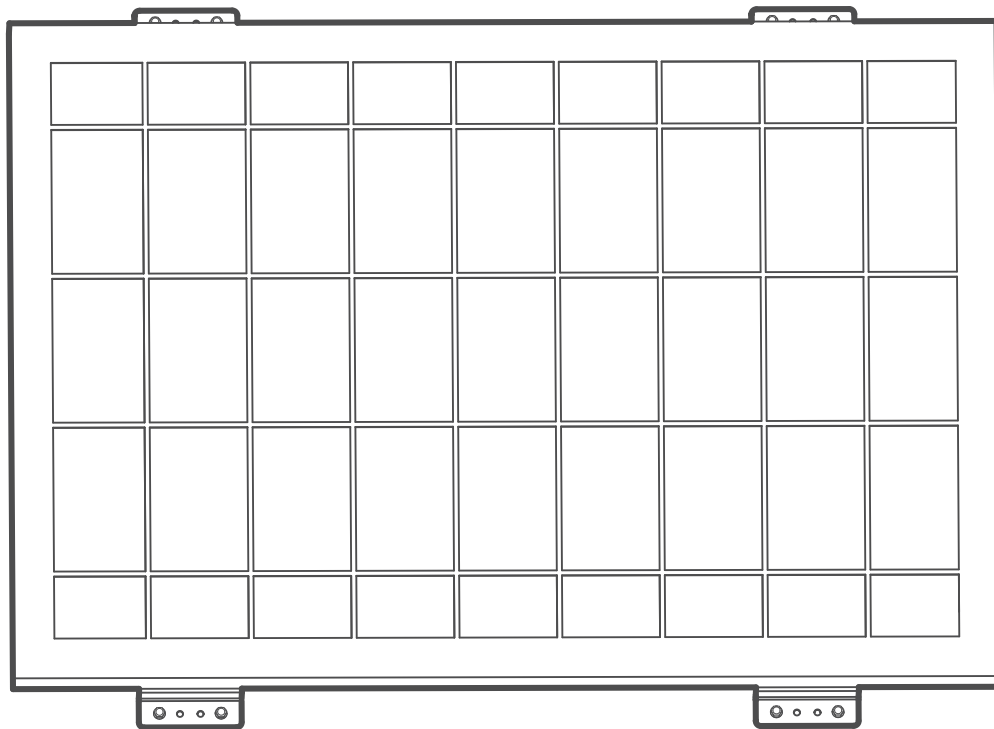
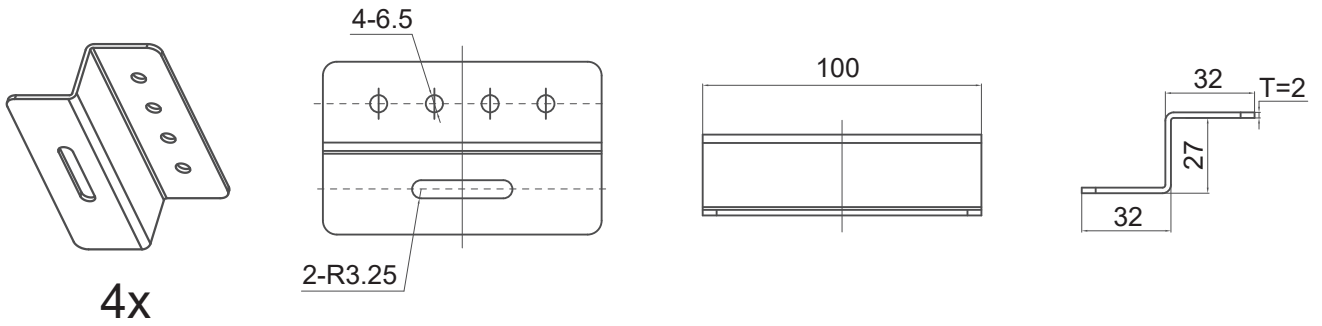


ES-AHZ serie

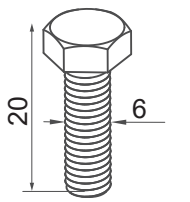
ES-AHZ03



ES-AHZ03

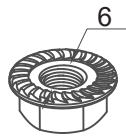


4x



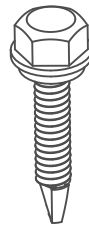
M6
Hexagonal Bolt

4x



M6
Hexagonal Nut

4x



M8
Hexagonal Screw

8x

Tools (not included) :



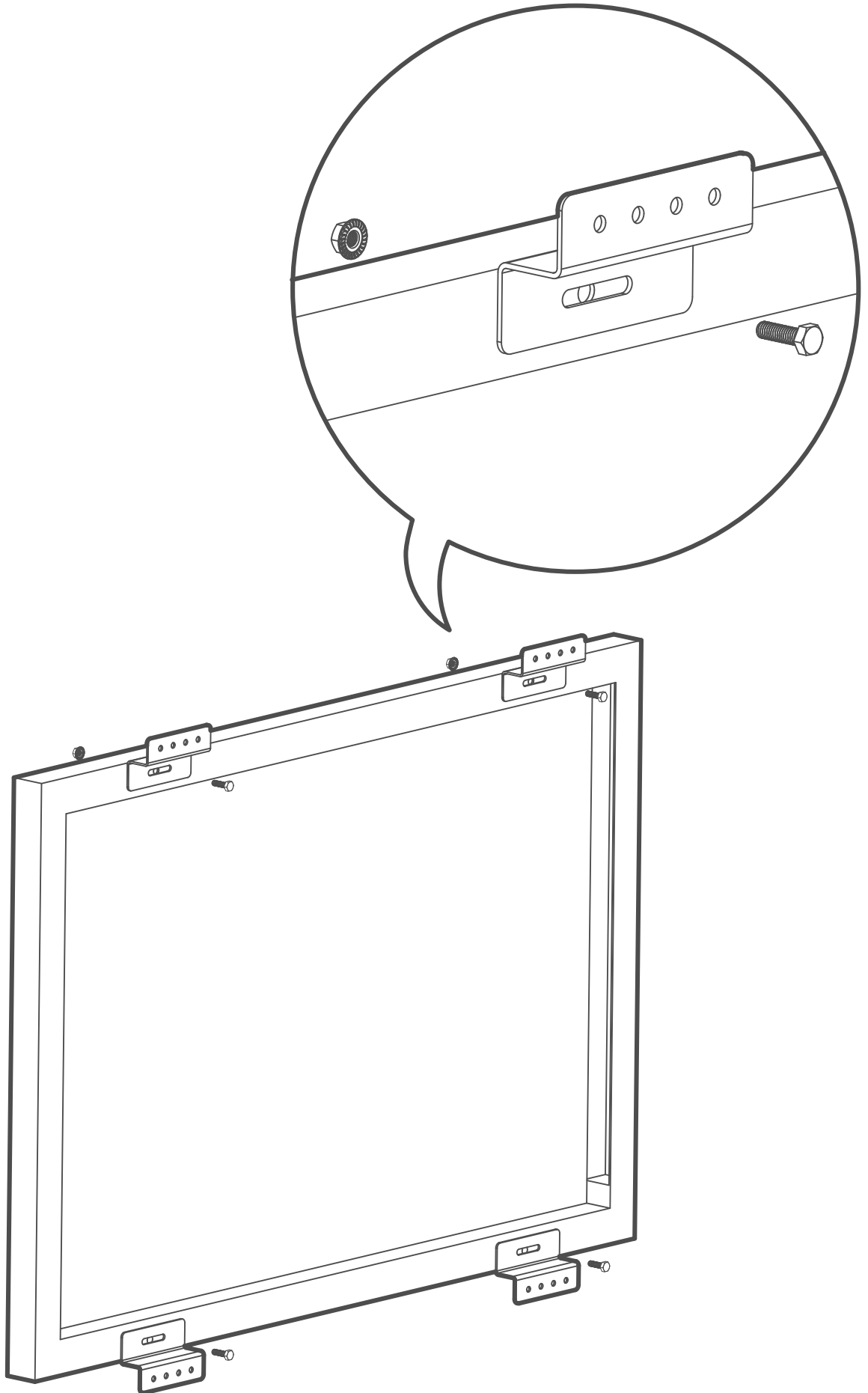
Open-End Wrench
for Sizes M6 and M8



Cordless Screwdriver

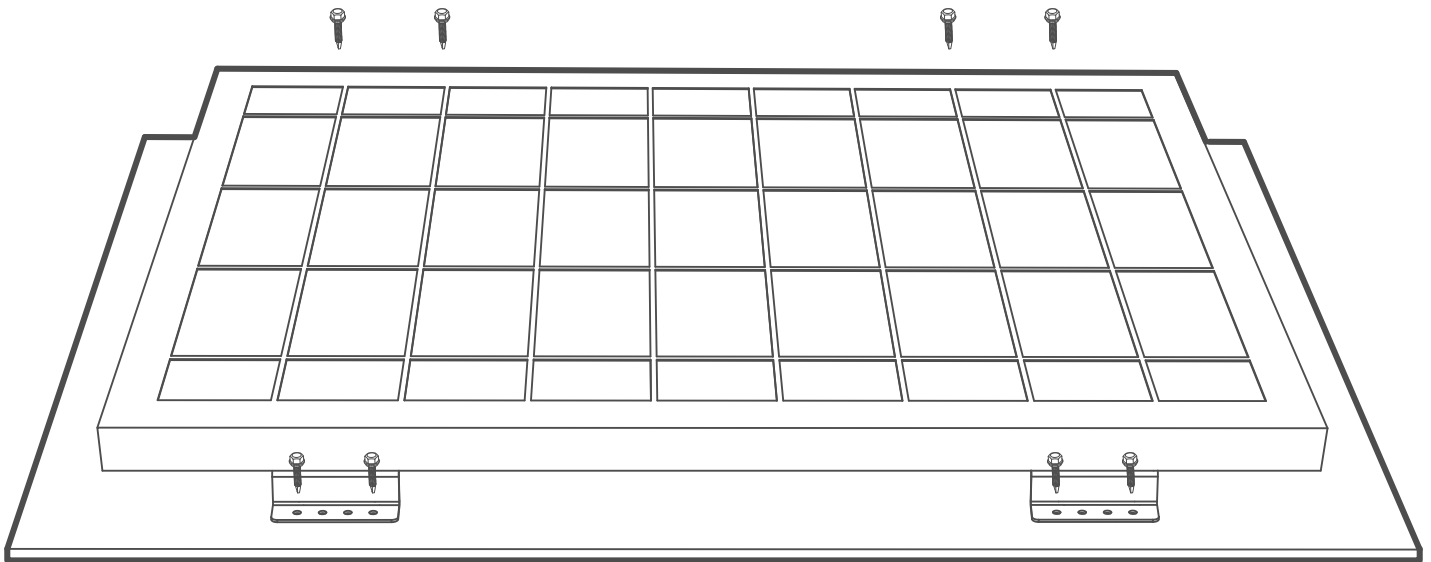
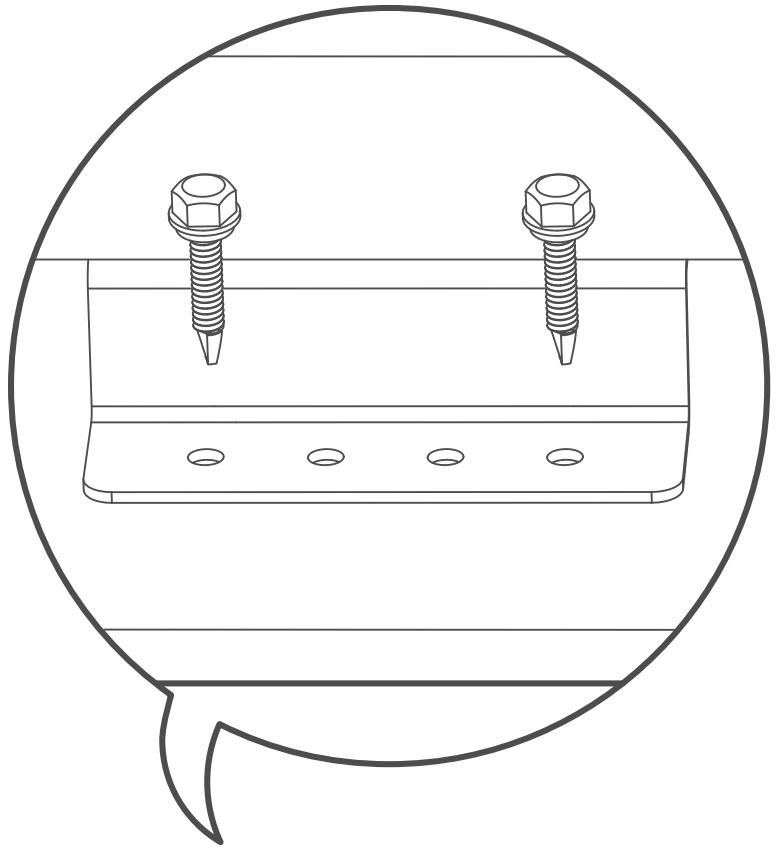
1

Mount the Z-Brackets with the M6 hexagonal bolts onto the solar panel.

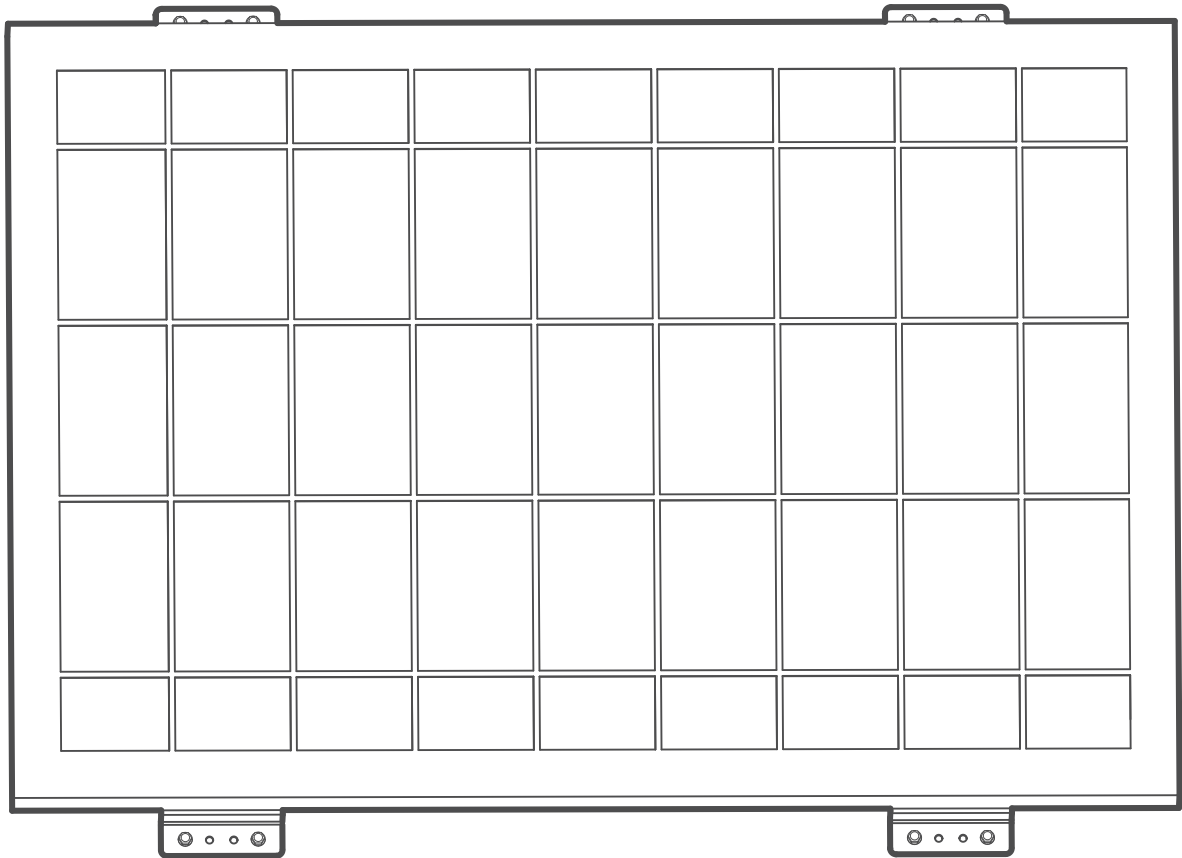
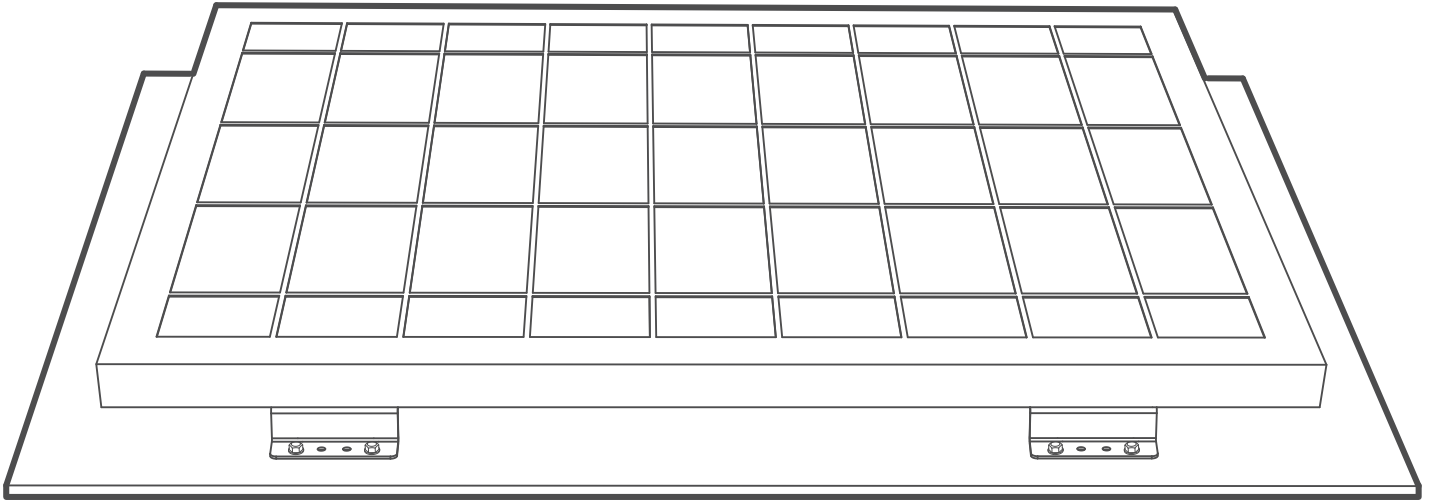


2

Mount the Z-Brackets onto the roof of the caravan or a flat surface with a M8 hexagonal screw.



3 Completed





Power your life !



SolarV GmbH
info@solarv.de
www.solarv.de