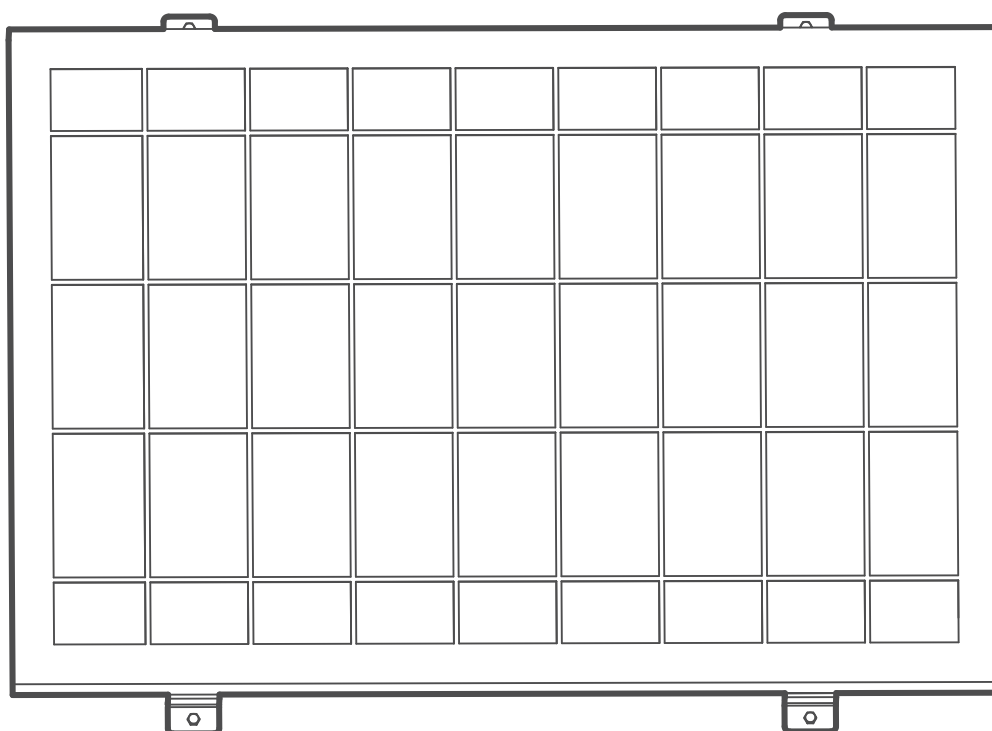
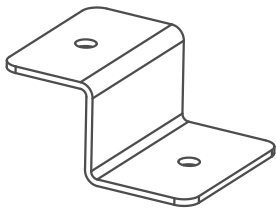


ES-AHZ serie

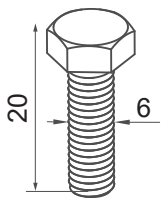
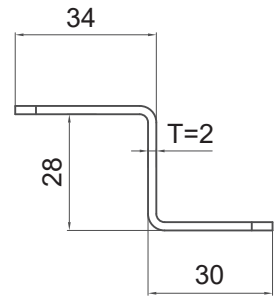
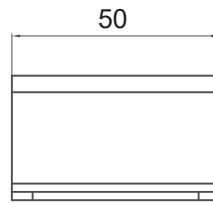
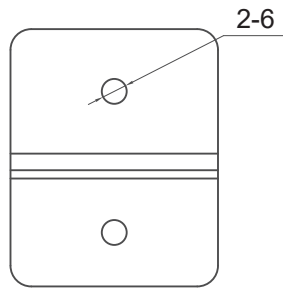
ES-AHZ02



ES-AHZ02



4x



M6
Hexagonal Bolt

8x



M6
Hexagonal Nut

8x

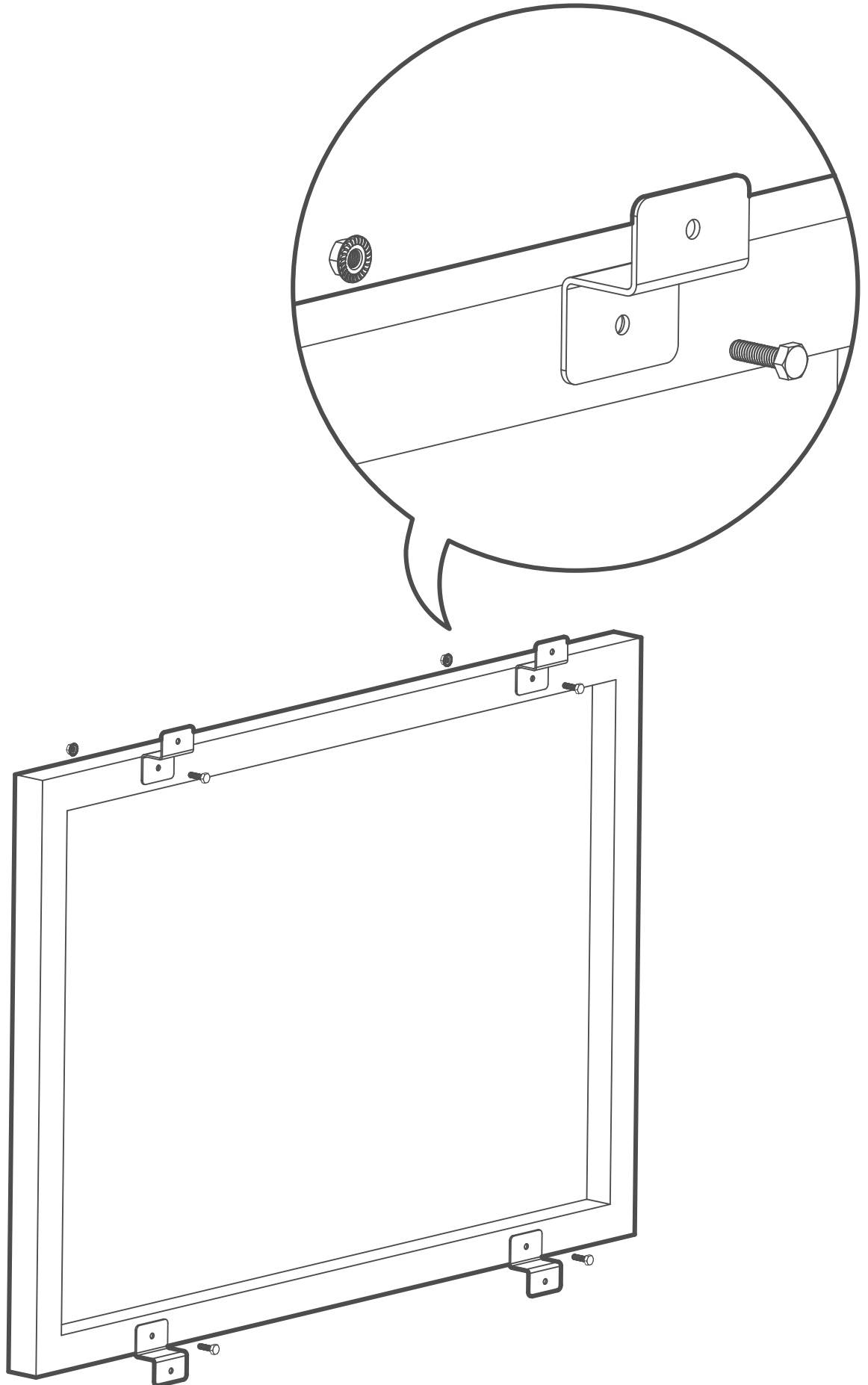
Tools (not included) :



Open-End Wrench
for Sizes M6 and M8

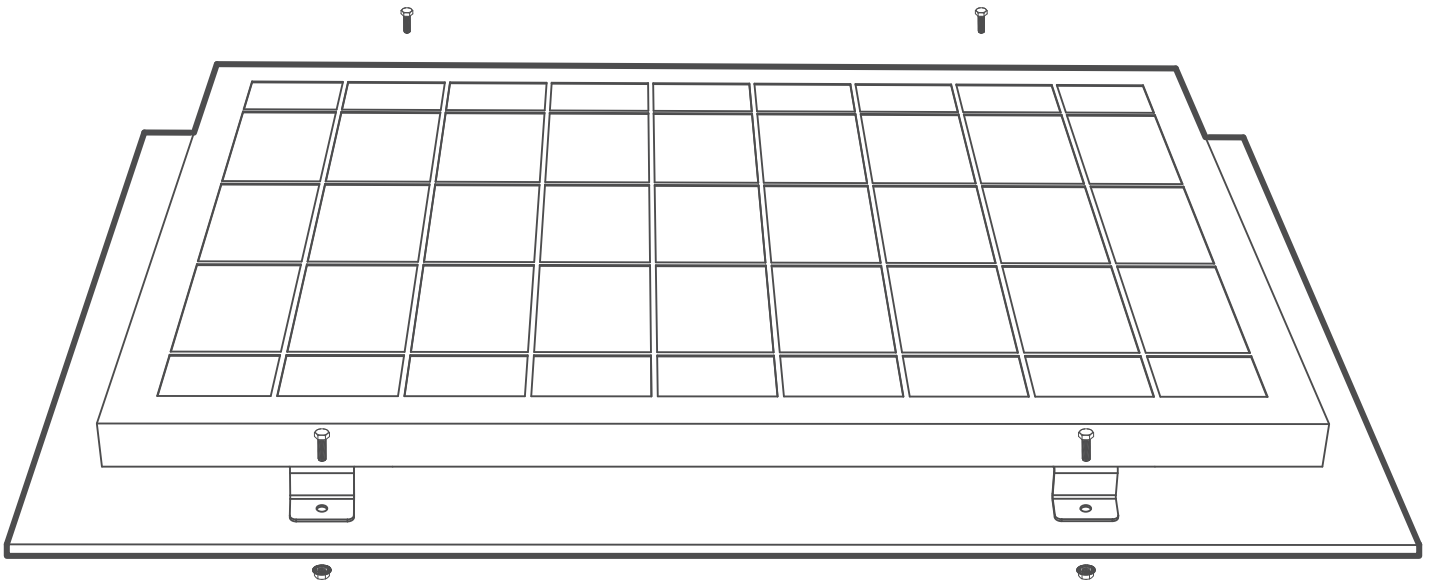
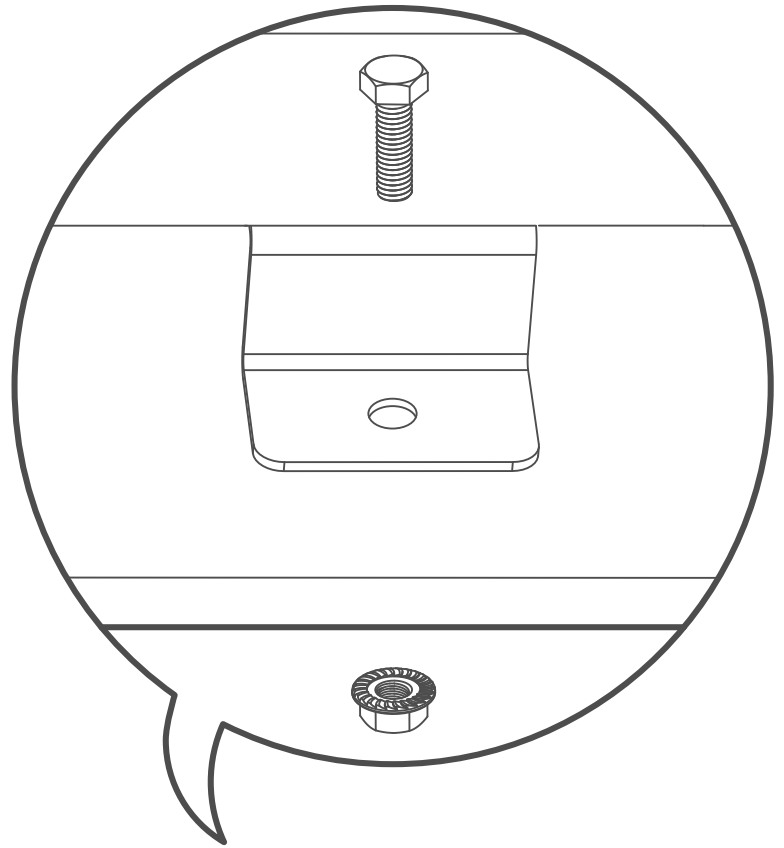
1

Mount the Z-Brackets with the M6 hexagonal bolts onto the solar panel.



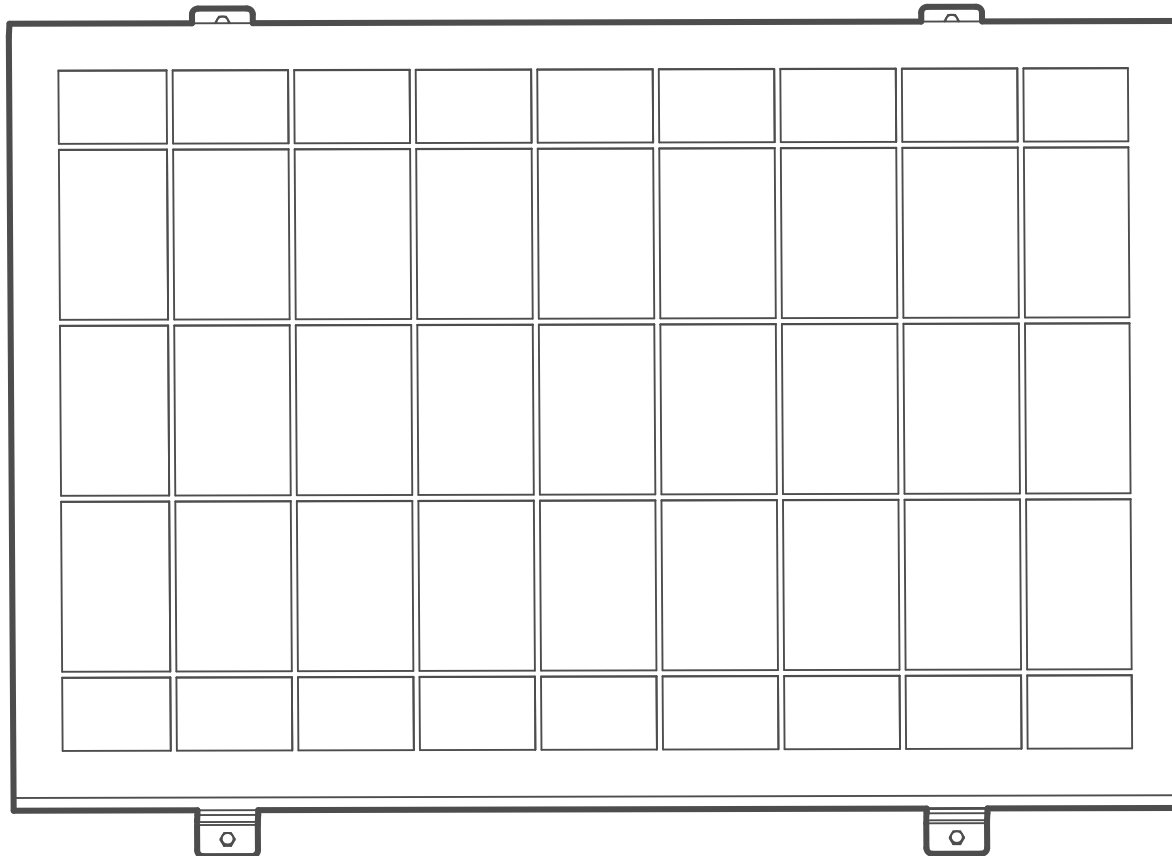
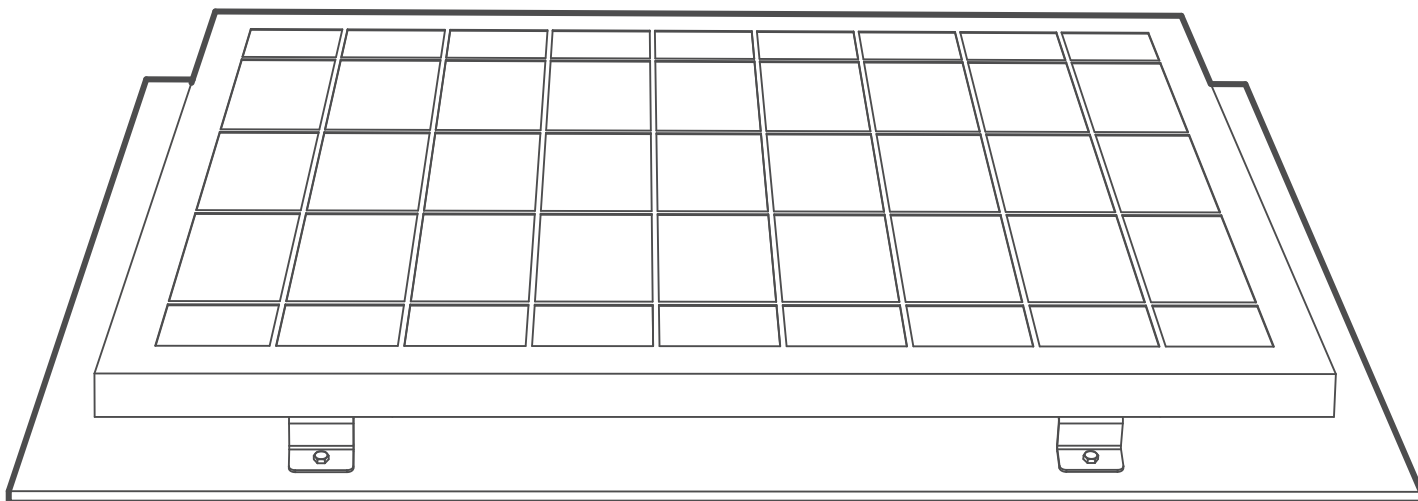
2

Mount the Z-Brackets onto the roof of the caravan or a flat surface with a M6 hexagonal screw.



3

Completed





Power your life !



SolarV GmbH
info@solarv.de
www.solarv.de