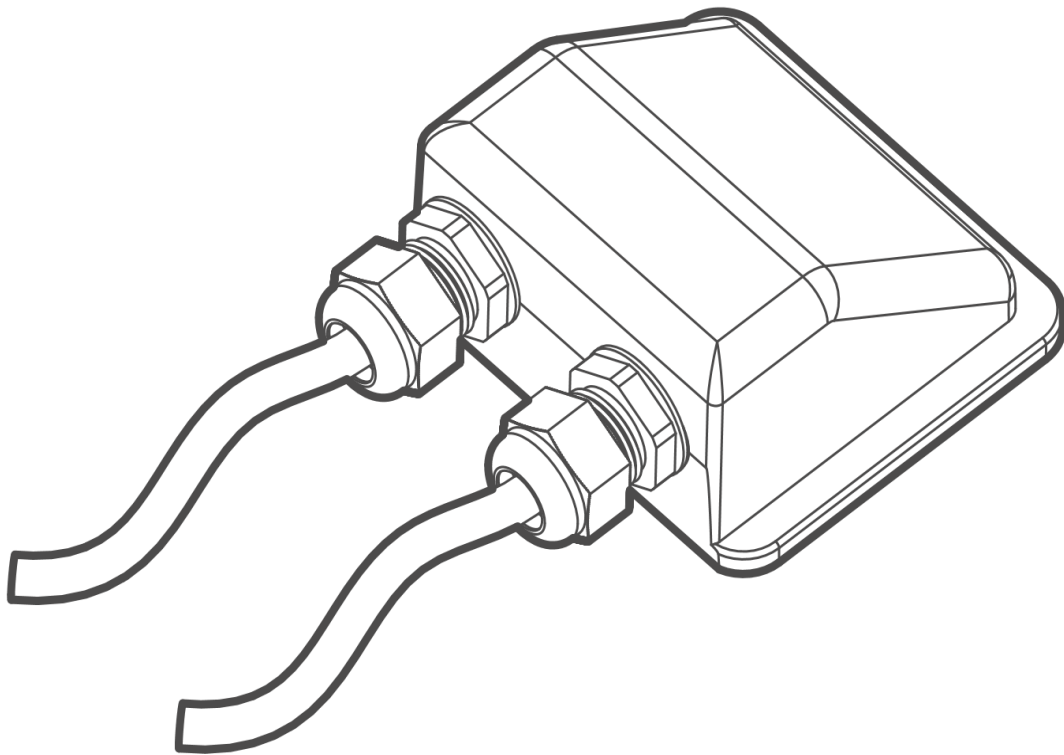


# ES-ABD 21/22

White / Black

EN



5301002

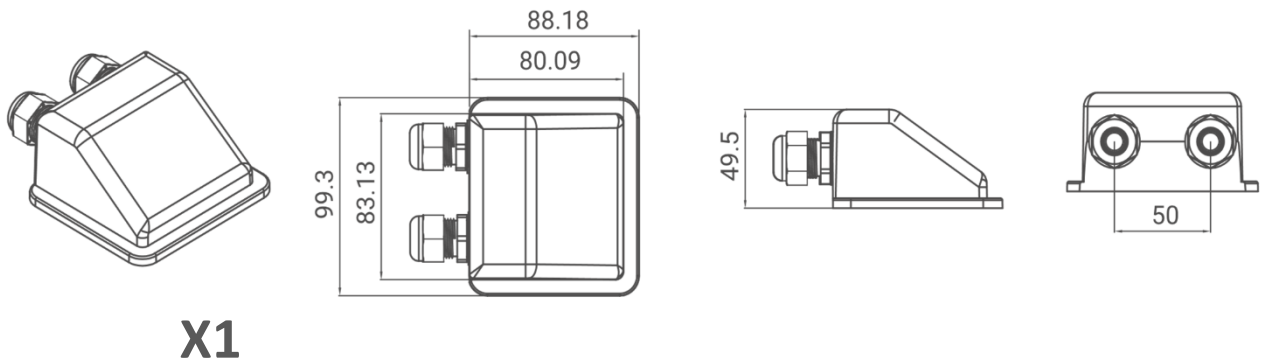
5302002



# ES-ABD 21/22

## enjoysolar® ABS double Cable Entry Gland

### Dimension(mm)



## Prepare for assembly

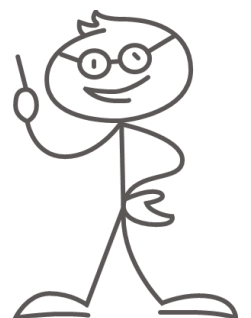
### Tools (not incl.)



Sikaflex® - 554 construction adhesive

### Tipps:

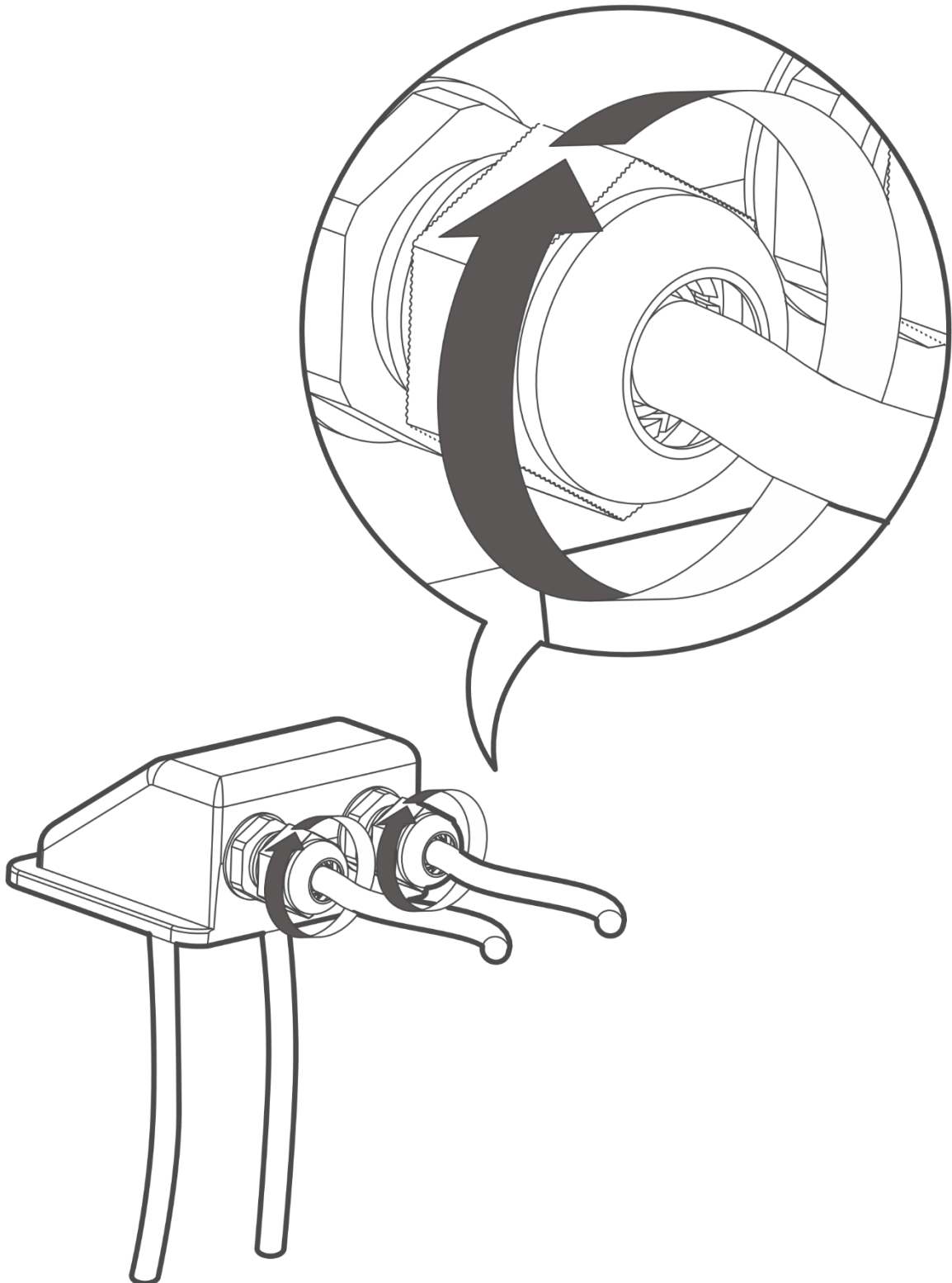
*Surfaces must be clean, dry and free from all traces of grease, oil, wax and dust.*



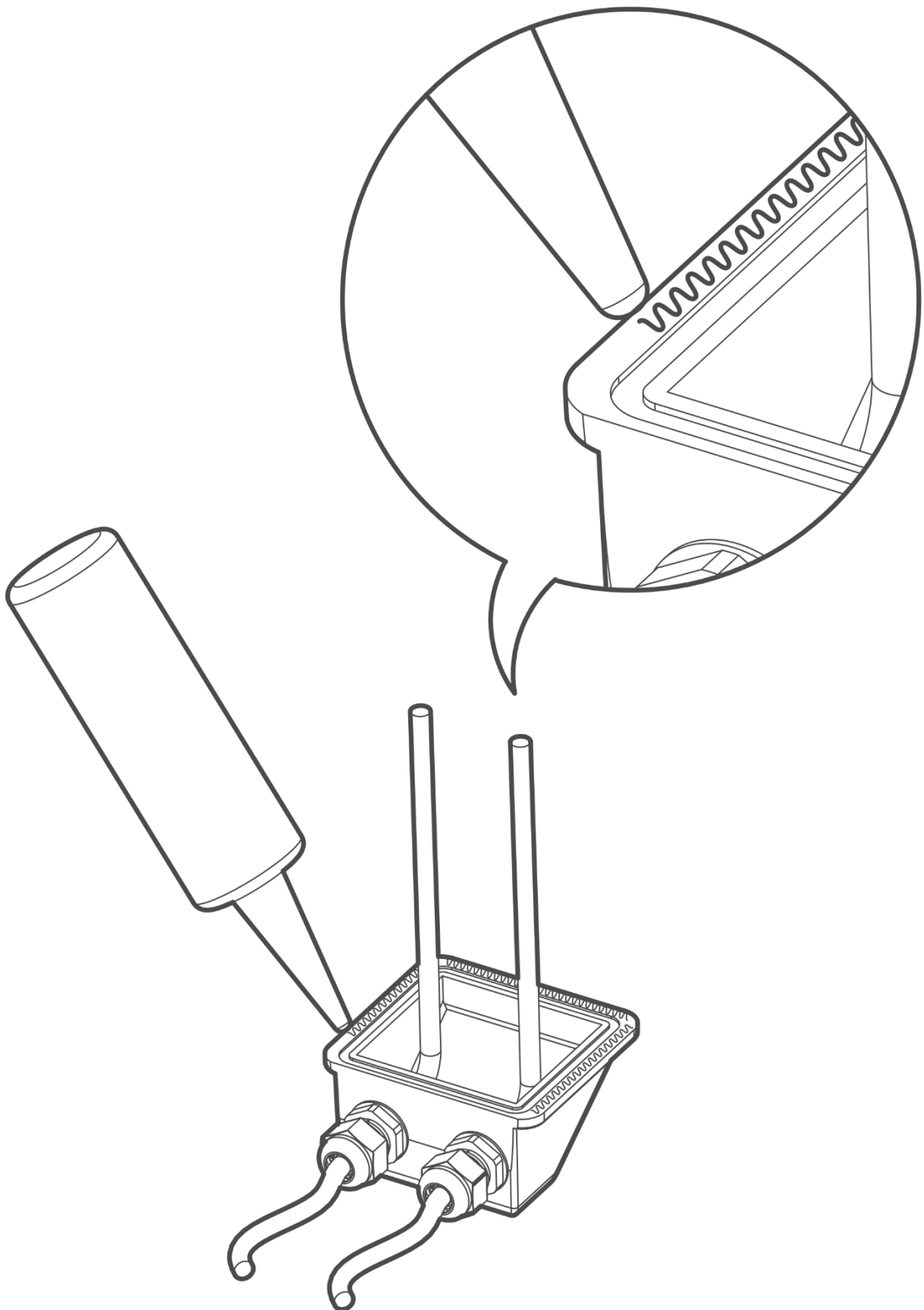
# Assembly instructions

1

Remove the bolt head from casing

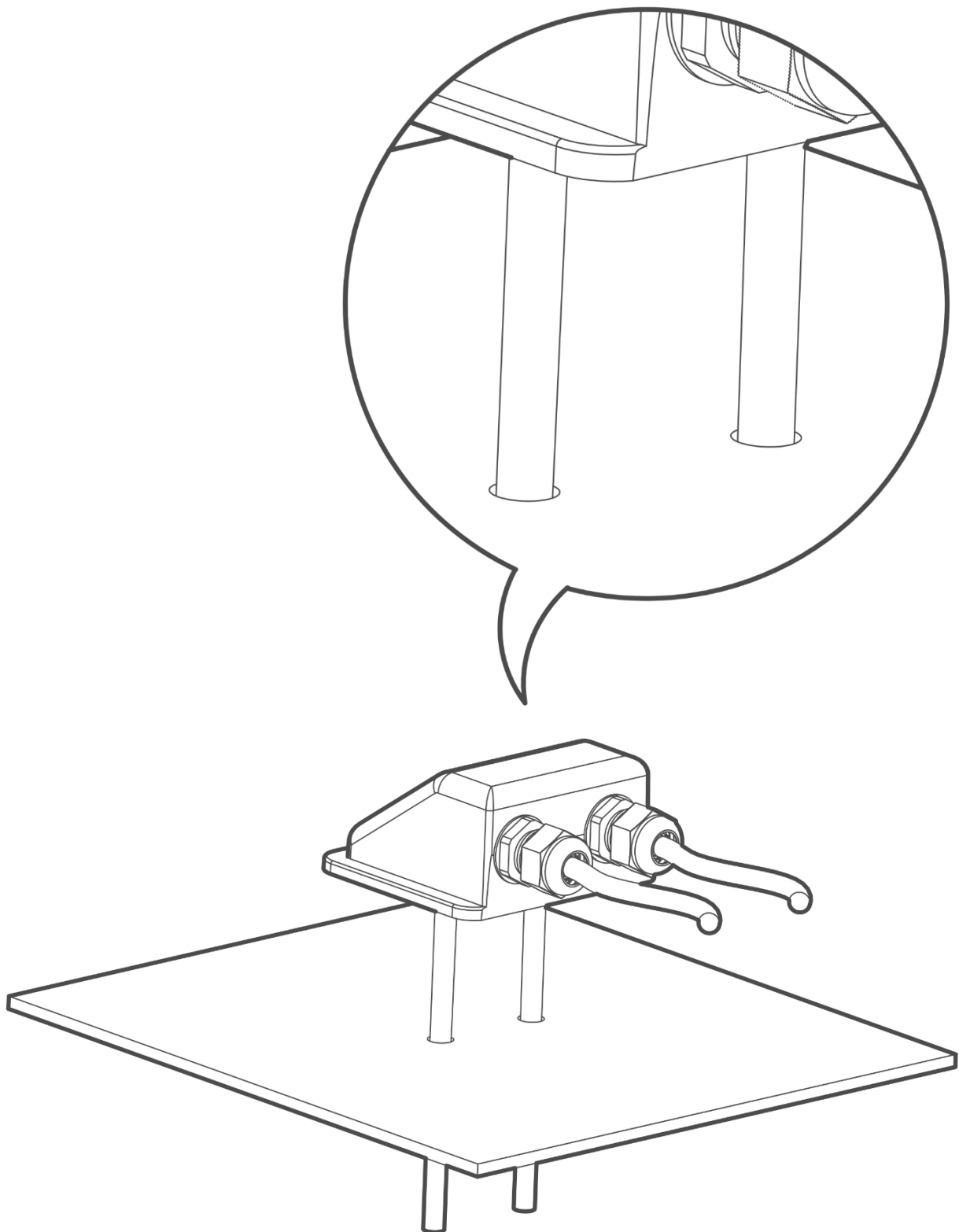


# 2 Apply the Sikaflex®-554 construction adhesive

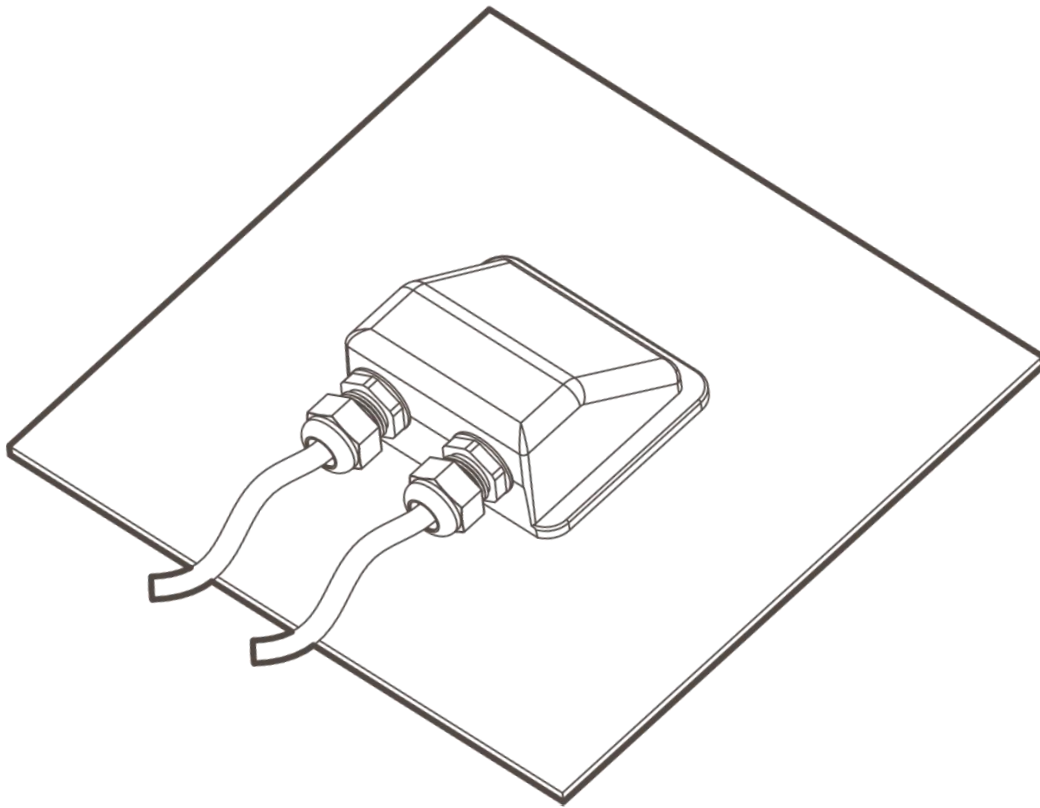


# 3

Draw the cables through then glue with Sikaflex-554 construction adhesive



# 4 Done!



Power your life !



**SolarV GmbH**  
info@solarv.de  
www.solarv.de