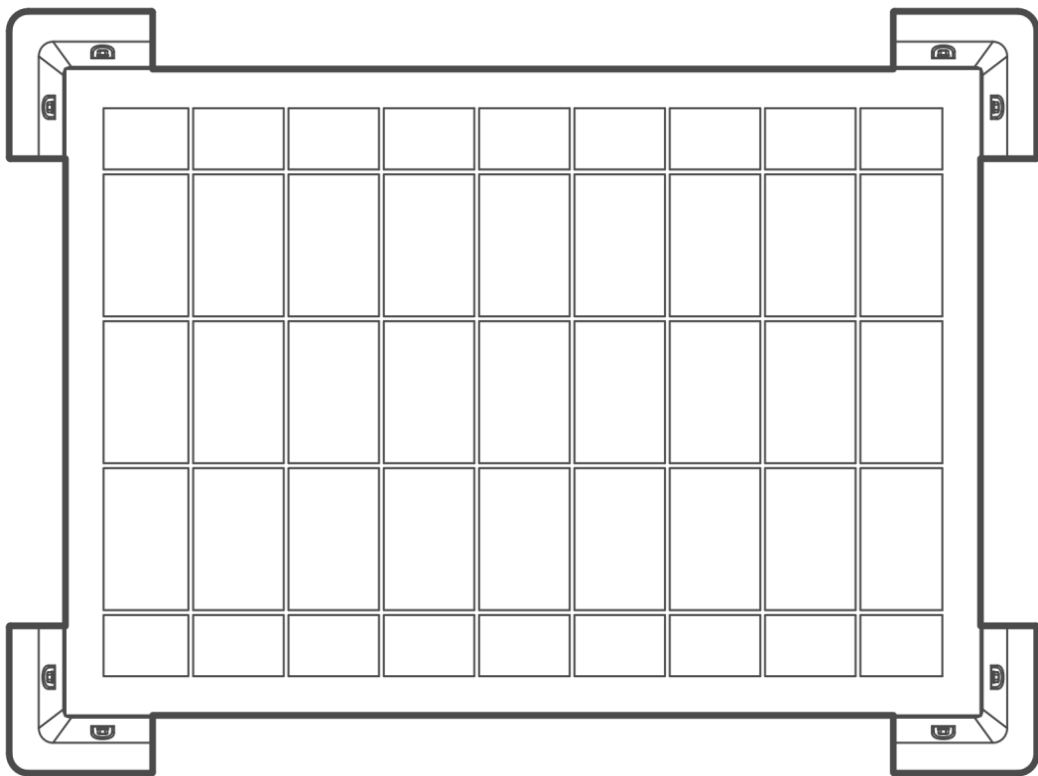


# ES-ABE 41/42

White / Black

EN



5301160

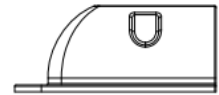
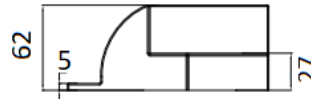
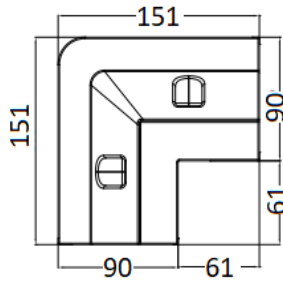
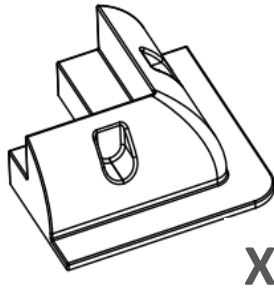
5302160



# ES-ABE 41/42

## enjoysolar® ABS Corner brackets

### Dimension(mm)



## Prepare for assembly

### Tools (not incl.)



Sikaflex® - 554  
construction adhesive

Or



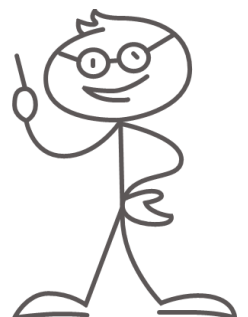
+



Cordless screwdriver and hexagonal  
screws ST6.3 (8pcs.)

### Tipps:

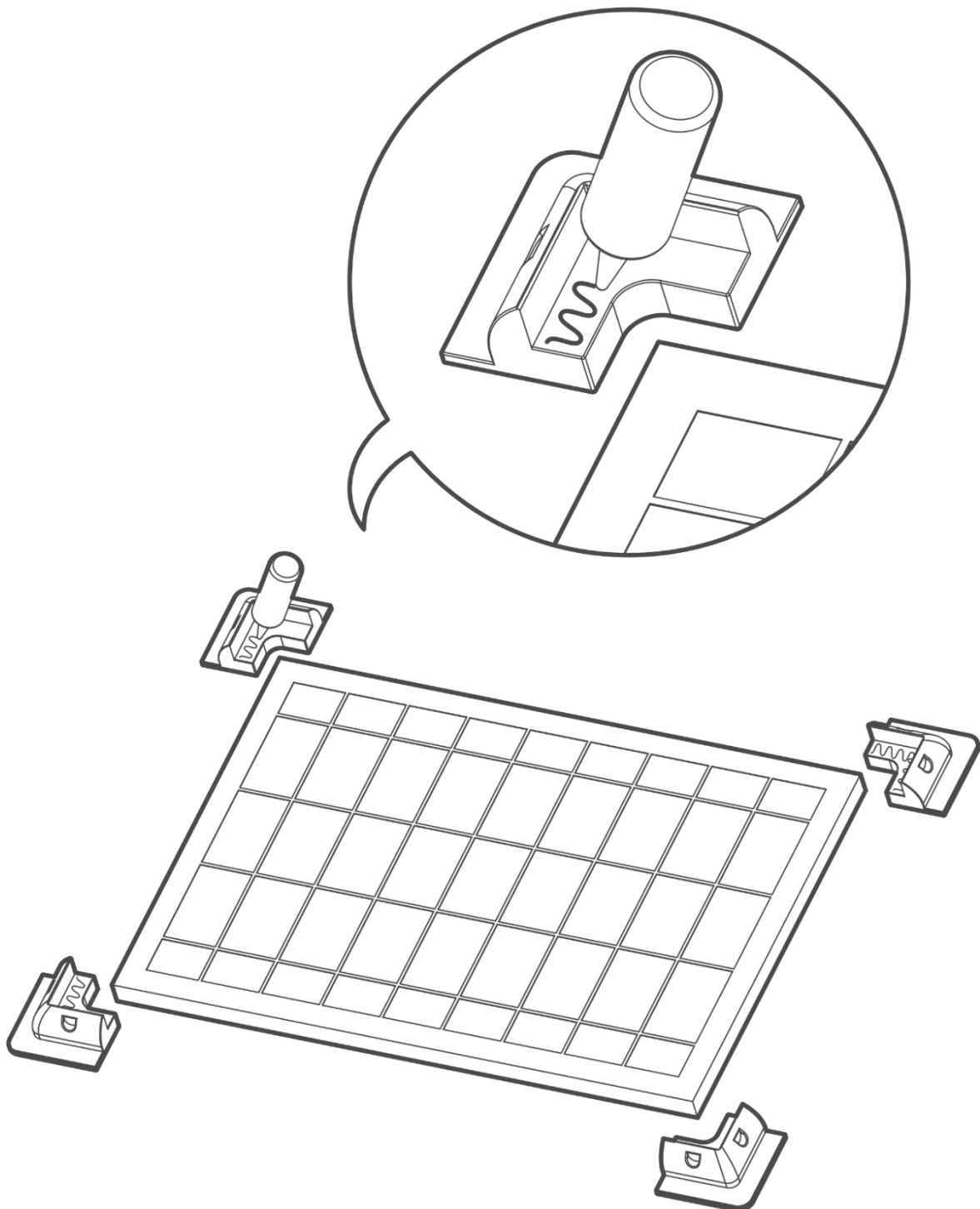
*Surfaces must be clean, dry and free from all traces of grease, oil, wax and dust.*



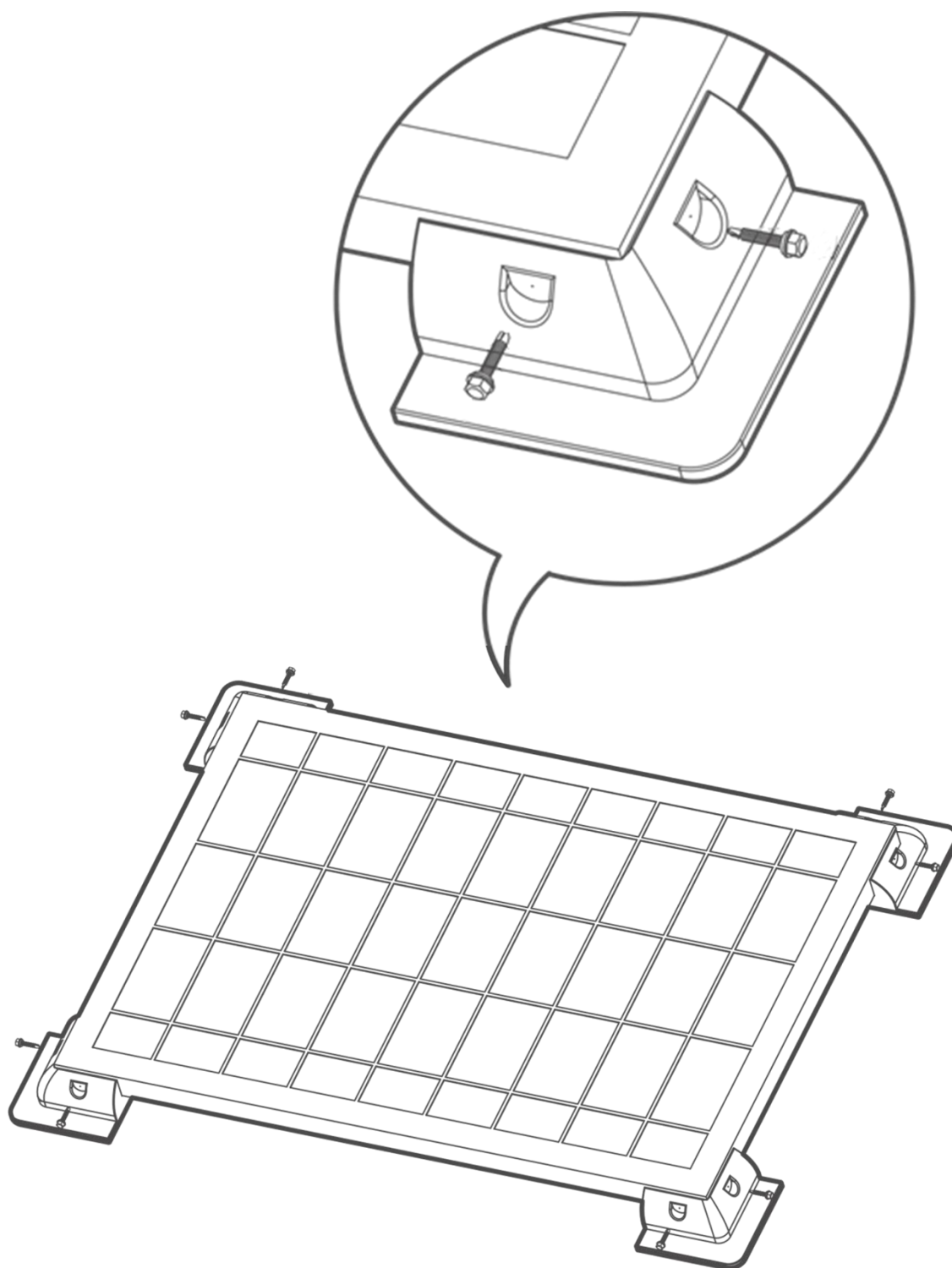
# Assembly instructions

## 1 Mount the solar module on the corner brackets

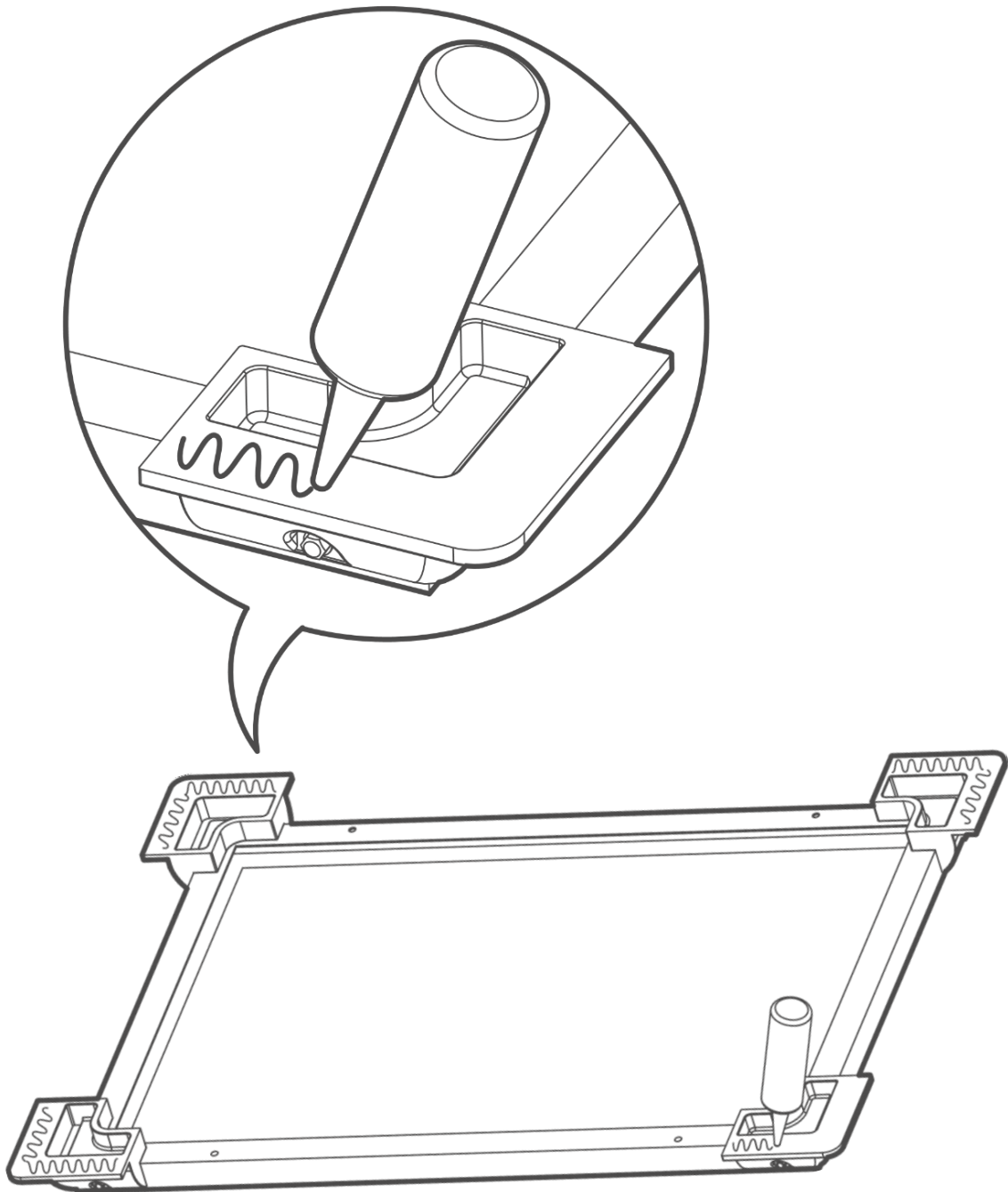
*Method A:* glue with Sikaflex®-554



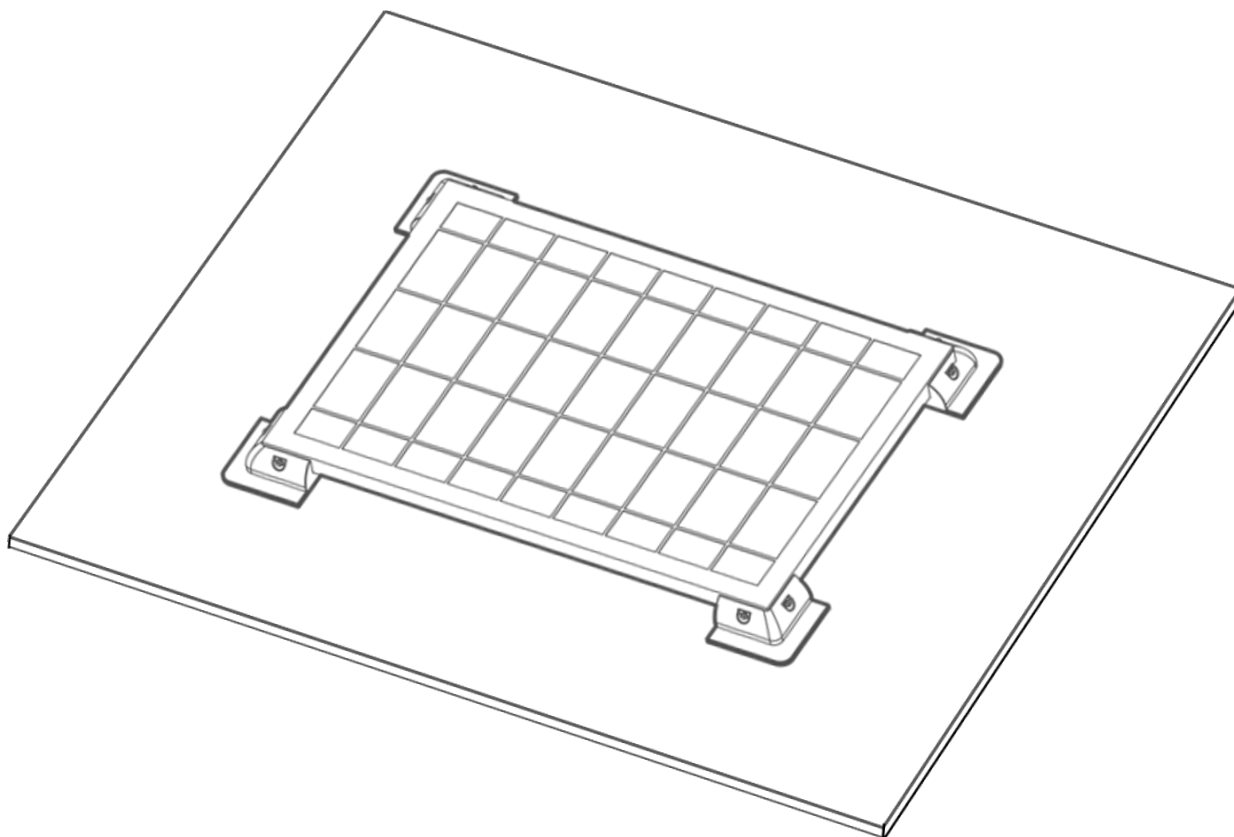
**Method B:** fix with ST6.3 hexagonal screws



## 2 Apply the Sikaflex®-554 construction adhesive



**3** glue onto the surface and done!



Power your life !



**SolarV GmbH**  
info@solarv.de  
www.solarv.de