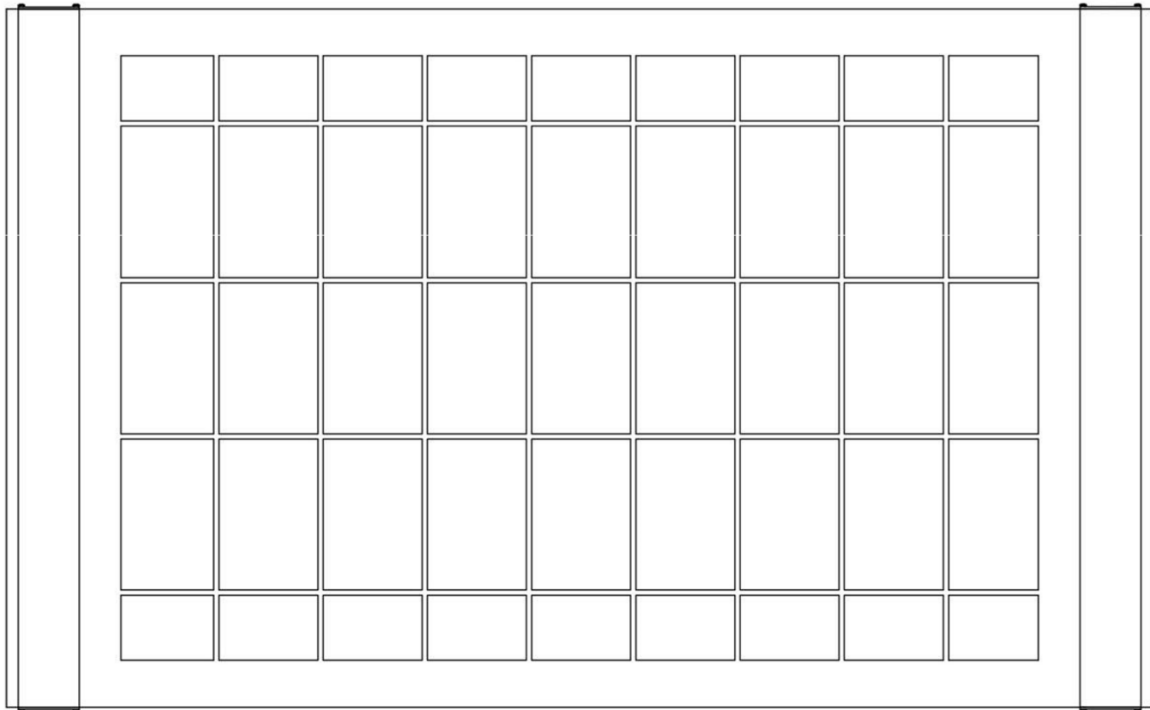


# ES-AHS 11/12

EN

# ES-AHS 55



5402550 (Black)

5401670 (Silver)

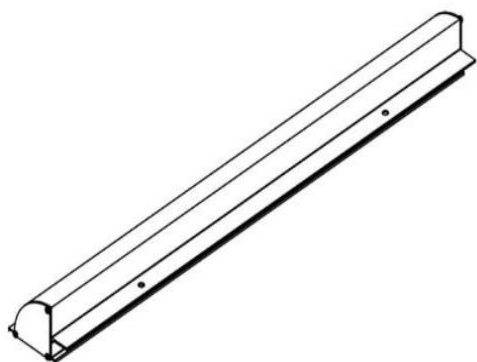
5402670 (Black)

# ES-AHS 11/12

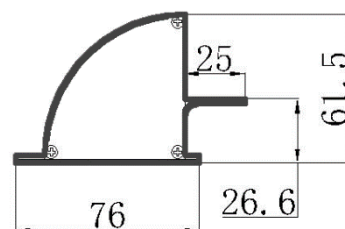
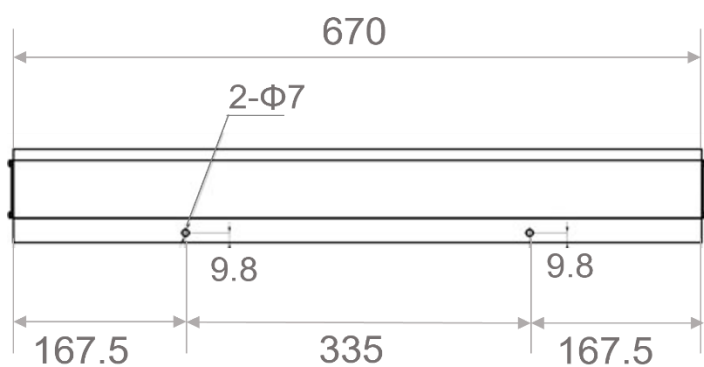
## enjoysolar® ALU Bracket 670mm

### Dimension (mm)

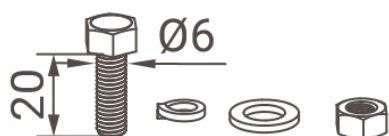
#### ➤ ALU bracket 670mm



X2



#### ➤ M6 Hexagonal Bolt



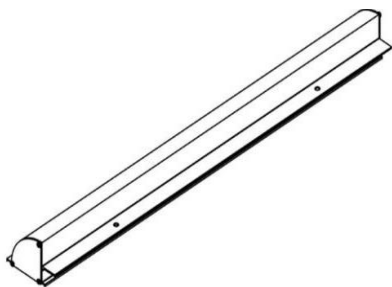
X4

# ES-AHS 55

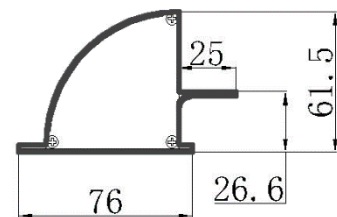
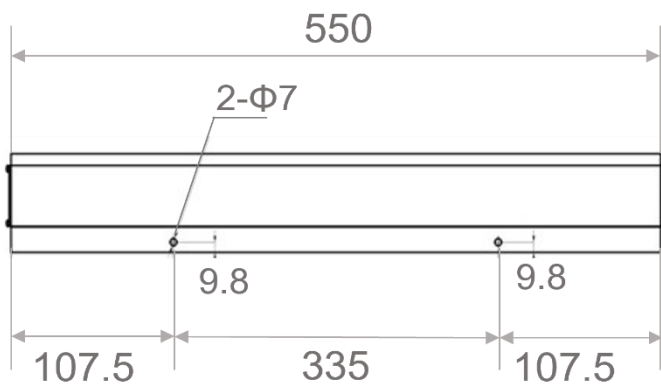
## enjoysolar® ALU Bracket 550mm

### Dimension (mm)

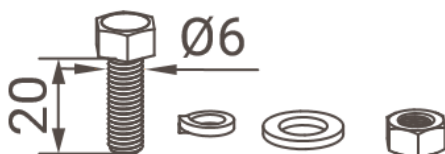
#### ➤ ALU bracket 550mm



X2



#### ➤ M6 Hexagonal Bolt



X4

# Prepare for assembly

## Tools (not incl.)



Sikaflex® - 554  
construction adhesive



10mm and 13mm Open-end  
wrench for M6 and M8 screws

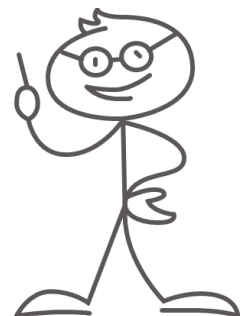
Or



Cordless screwdriver

## Tipps:

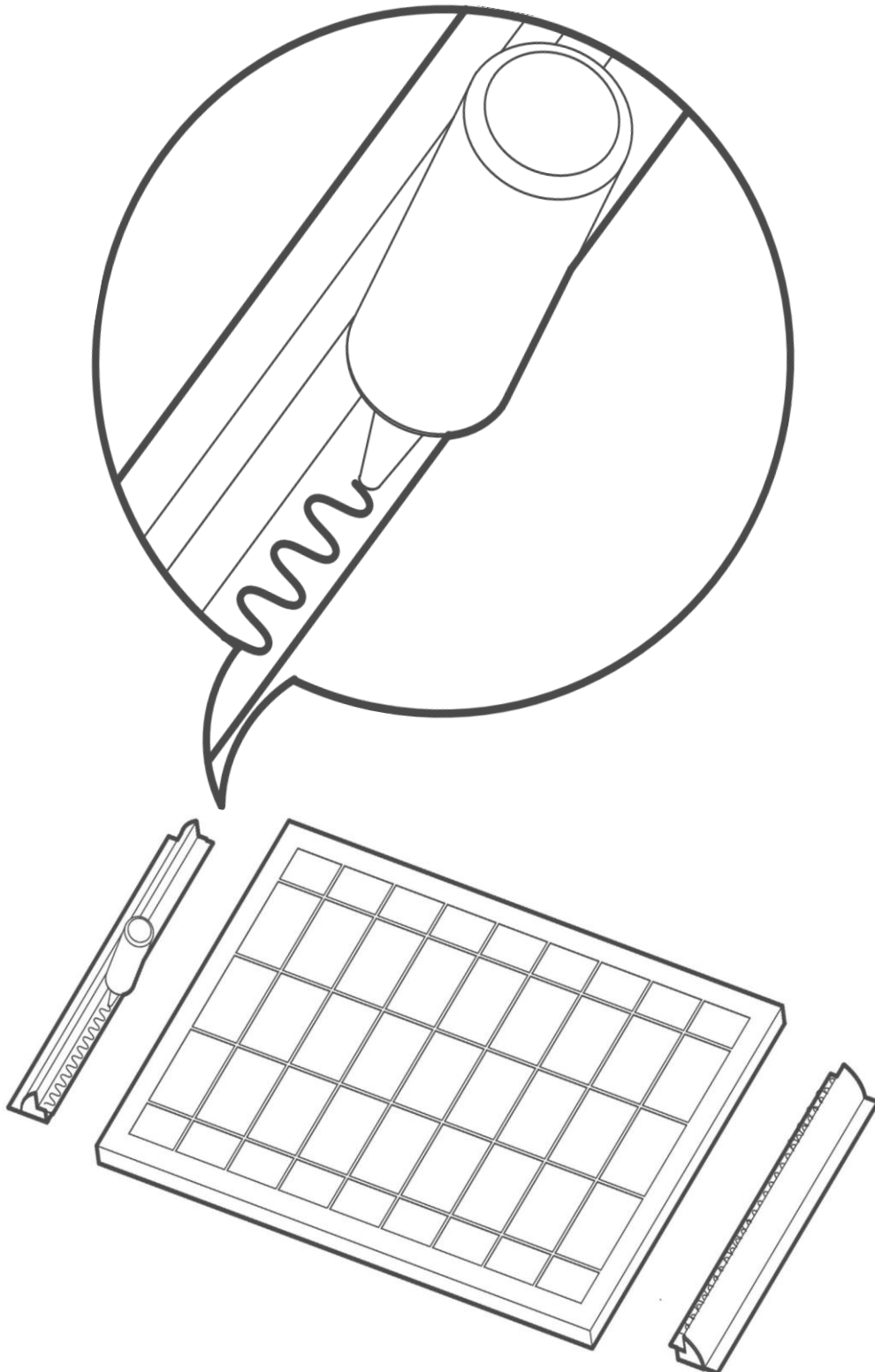
*Surfaces must be clean, dry and free from all traces of grease, oil, wax and dust.*



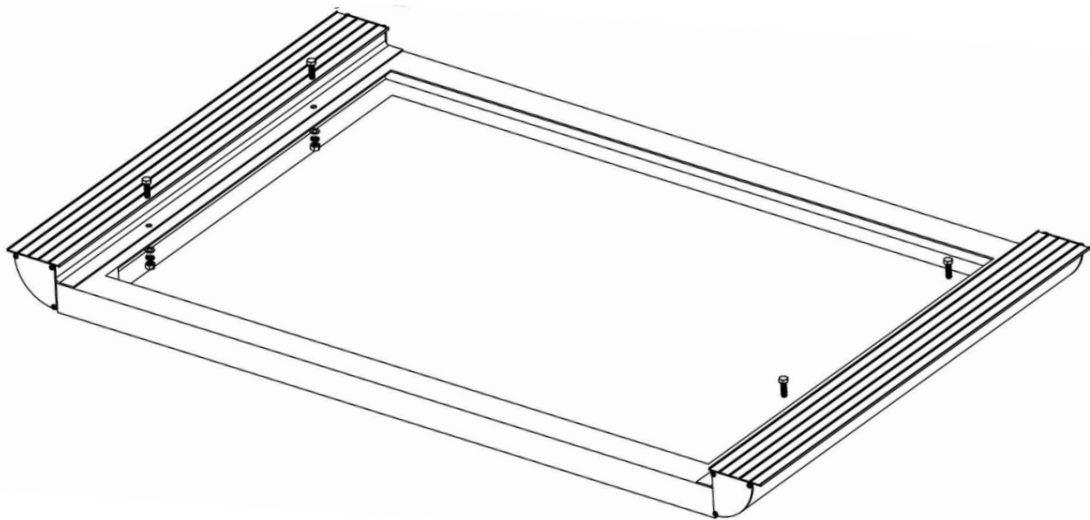
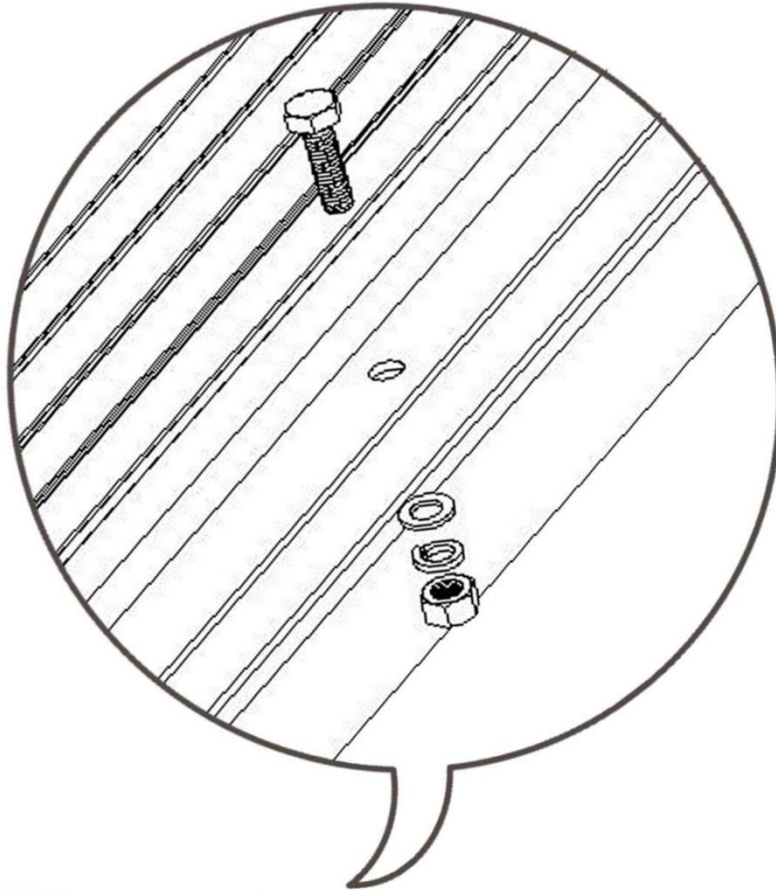
# Assembly instructions

**1** Mount the solar module on the brackets:

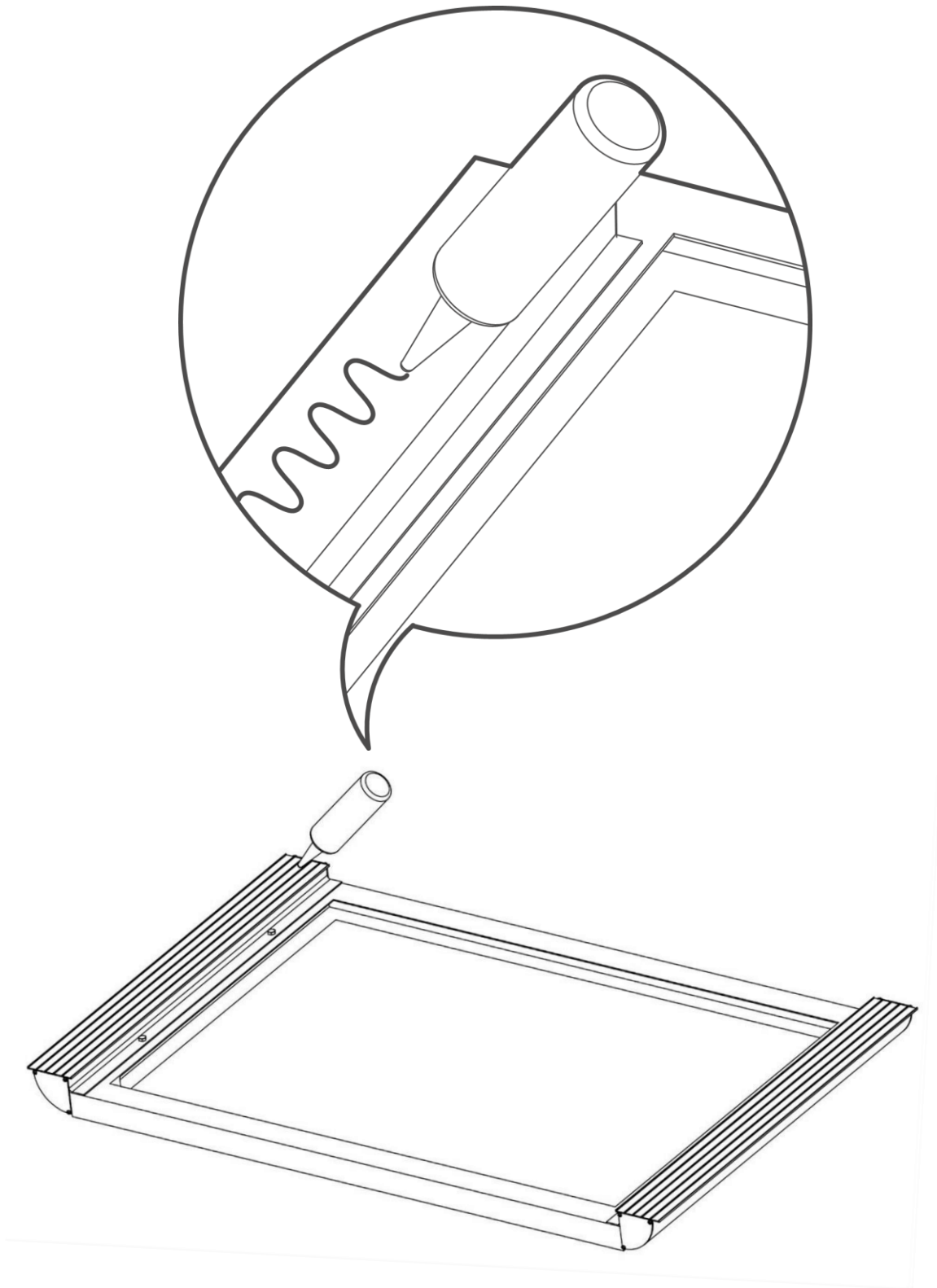
*Method A:* glue with Sikaflex®-554



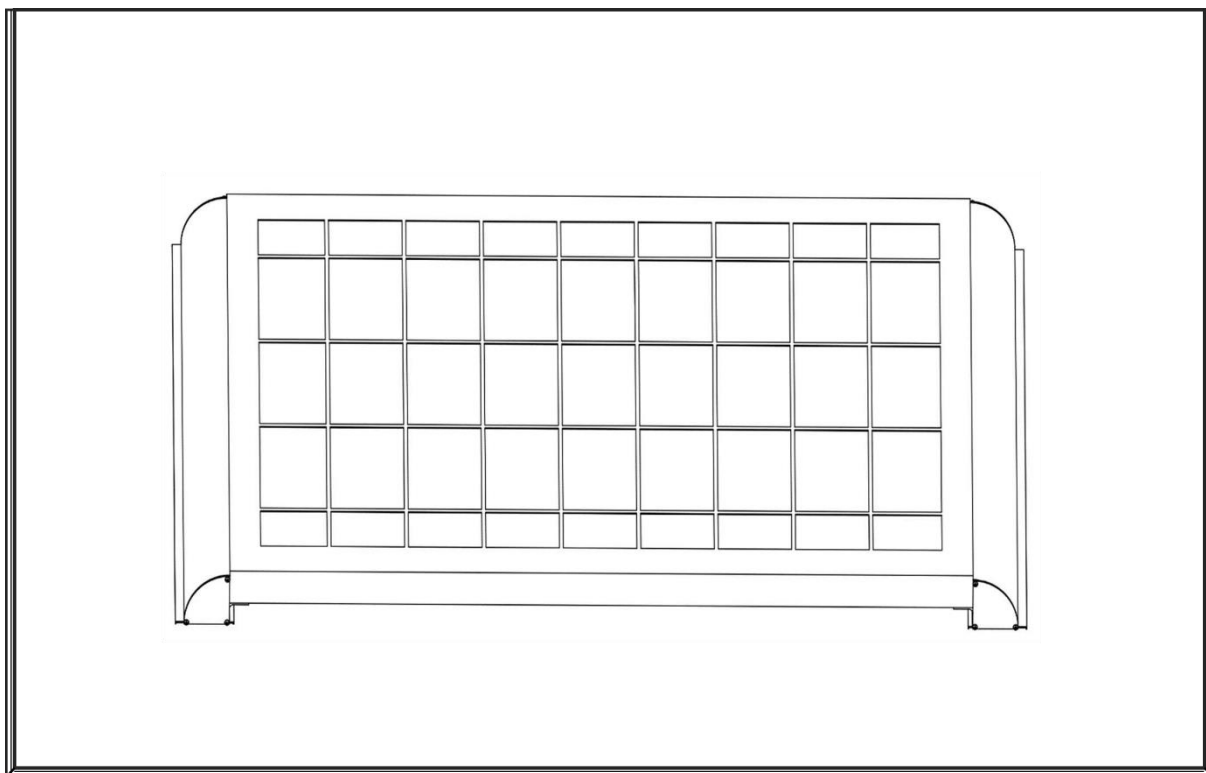
**Method B:** fix with M6 hexagonal bolts



## 2 Apply the Sikaflex®-554 construction adhesive



**3** glue onto the surface and done!



Power your life !



**SolarV GmbH**  
info@solarv.de  
www.solarv.de