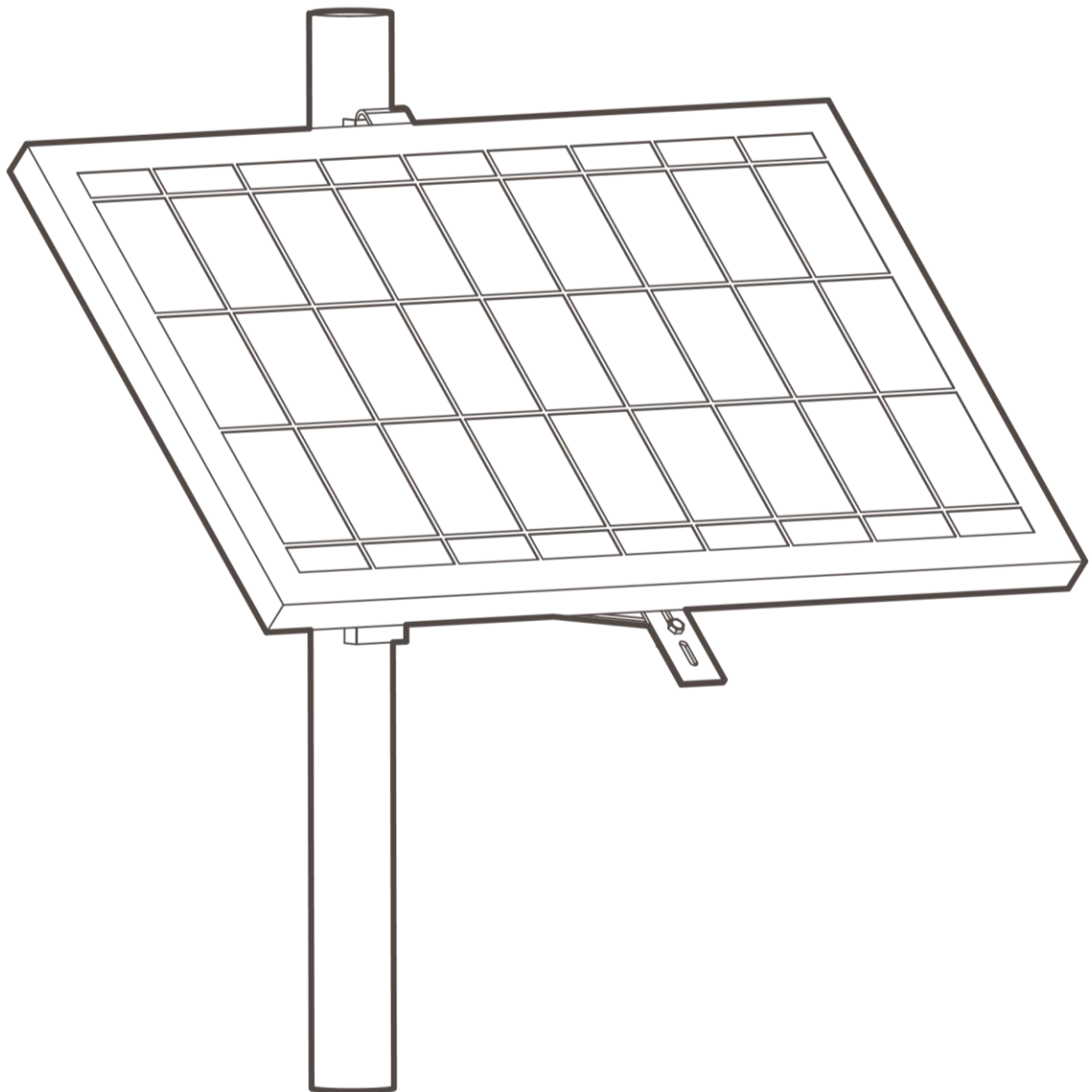


ES-AHV 03

EN

enjoysolar® ALU bracket for single panel

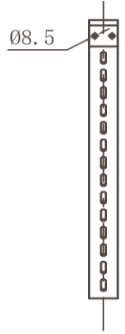
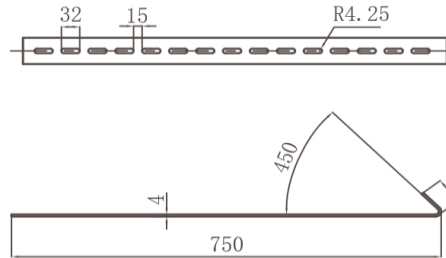
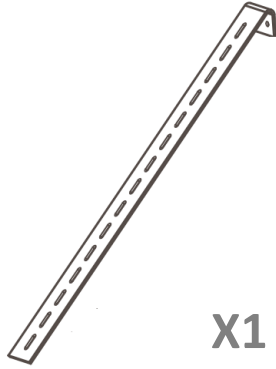


5410003

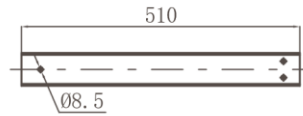
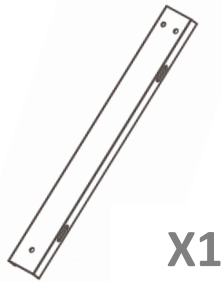
ES-AHV 03

Dimension (mm)

➤ Panel bracket



➤ Bracket connector



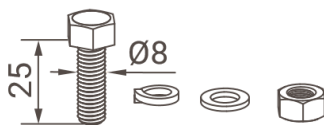
➤ Inclination adjustment bracket



➤ Hose clamp



➤ M8 Hexagonal Bolt



X4

➤ M6 Hexagonal Bolt



X2

Prepare for assembly

Tools (not incl.)



**10mm and 13mm Open-end
wrench for M6 and M8 screws**

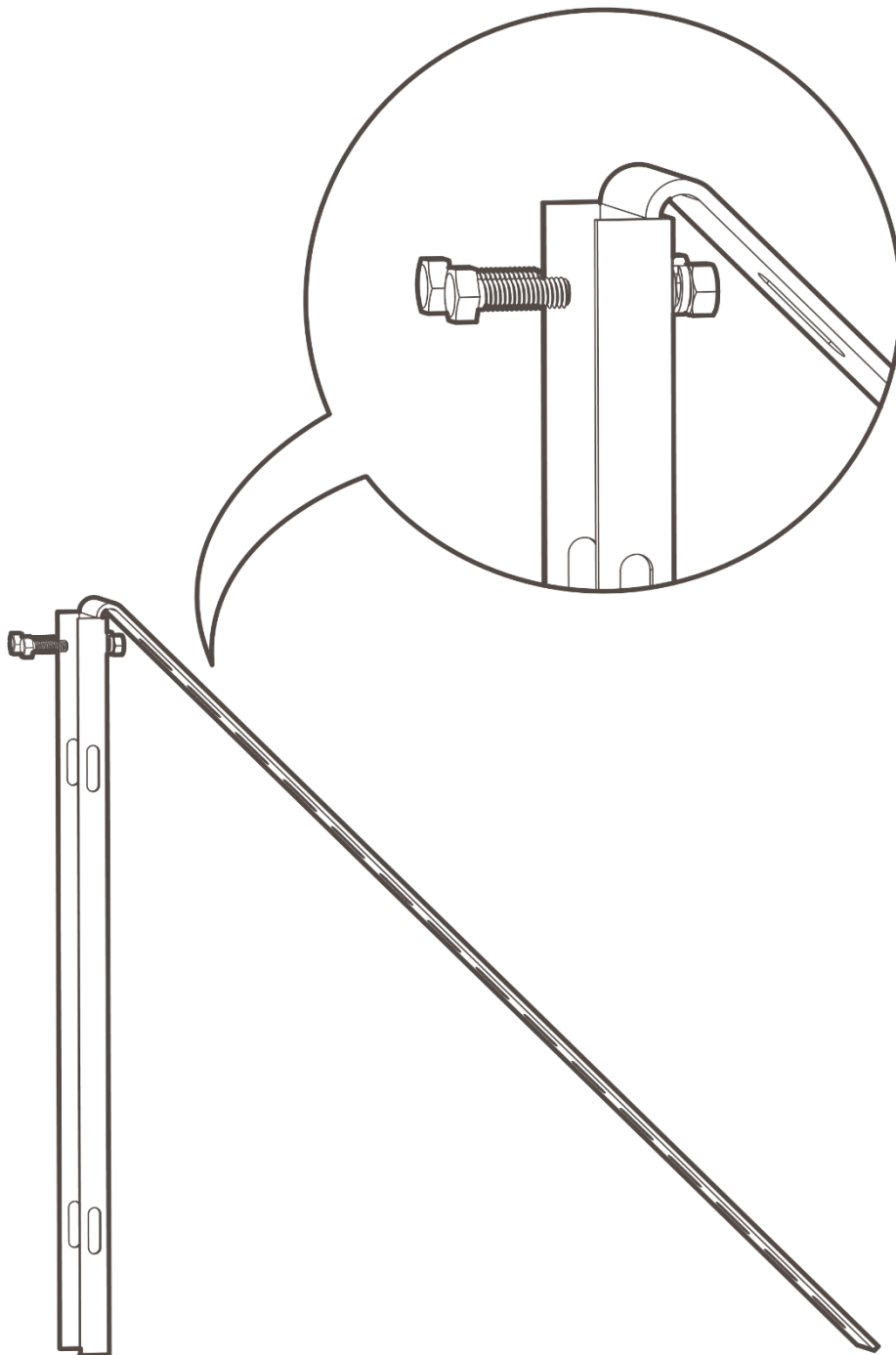
Or



Cordless screwdriver

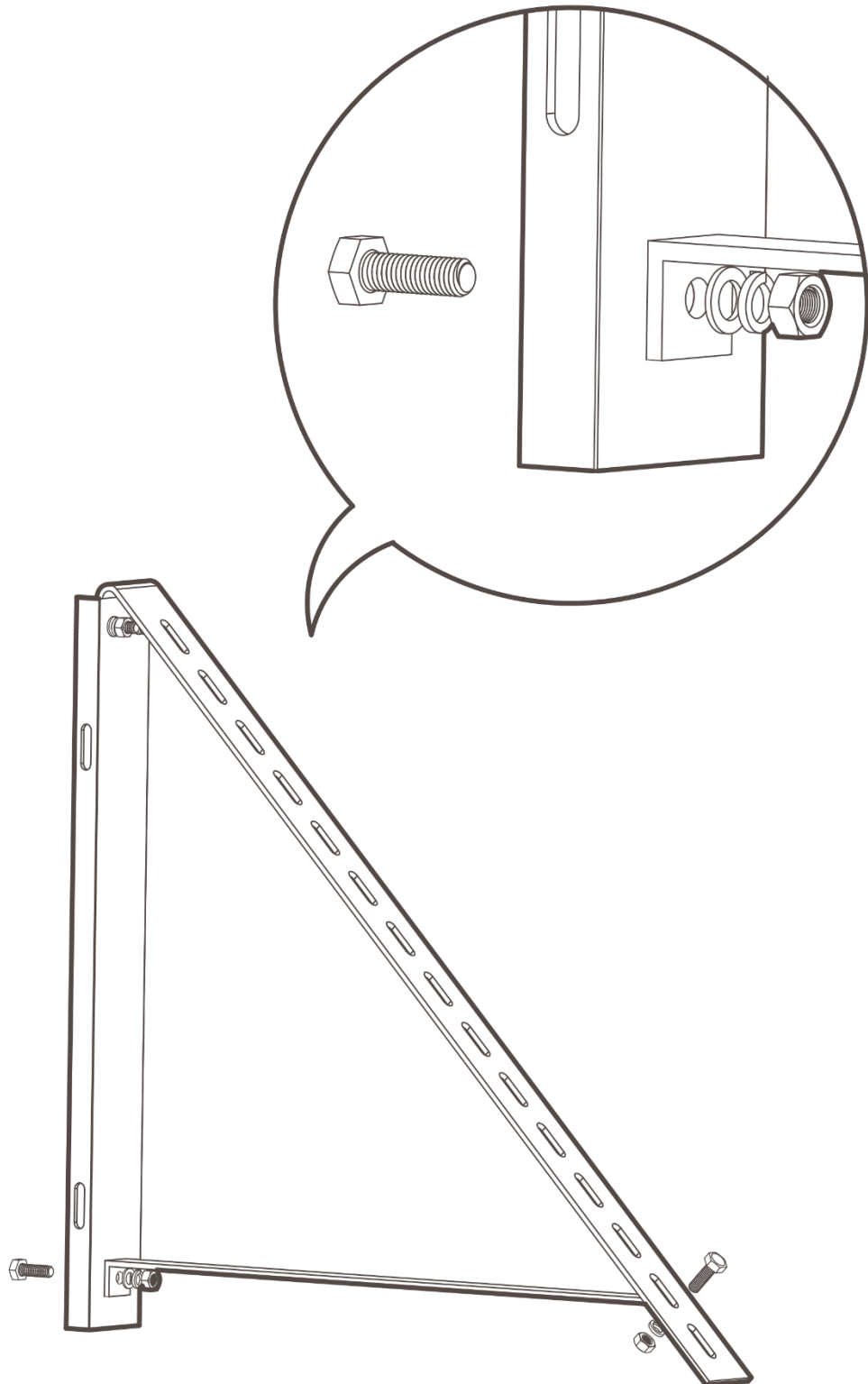
Assembly instructions

- 1** Mount the panel bracket to the bracket connector with M8 bolts:

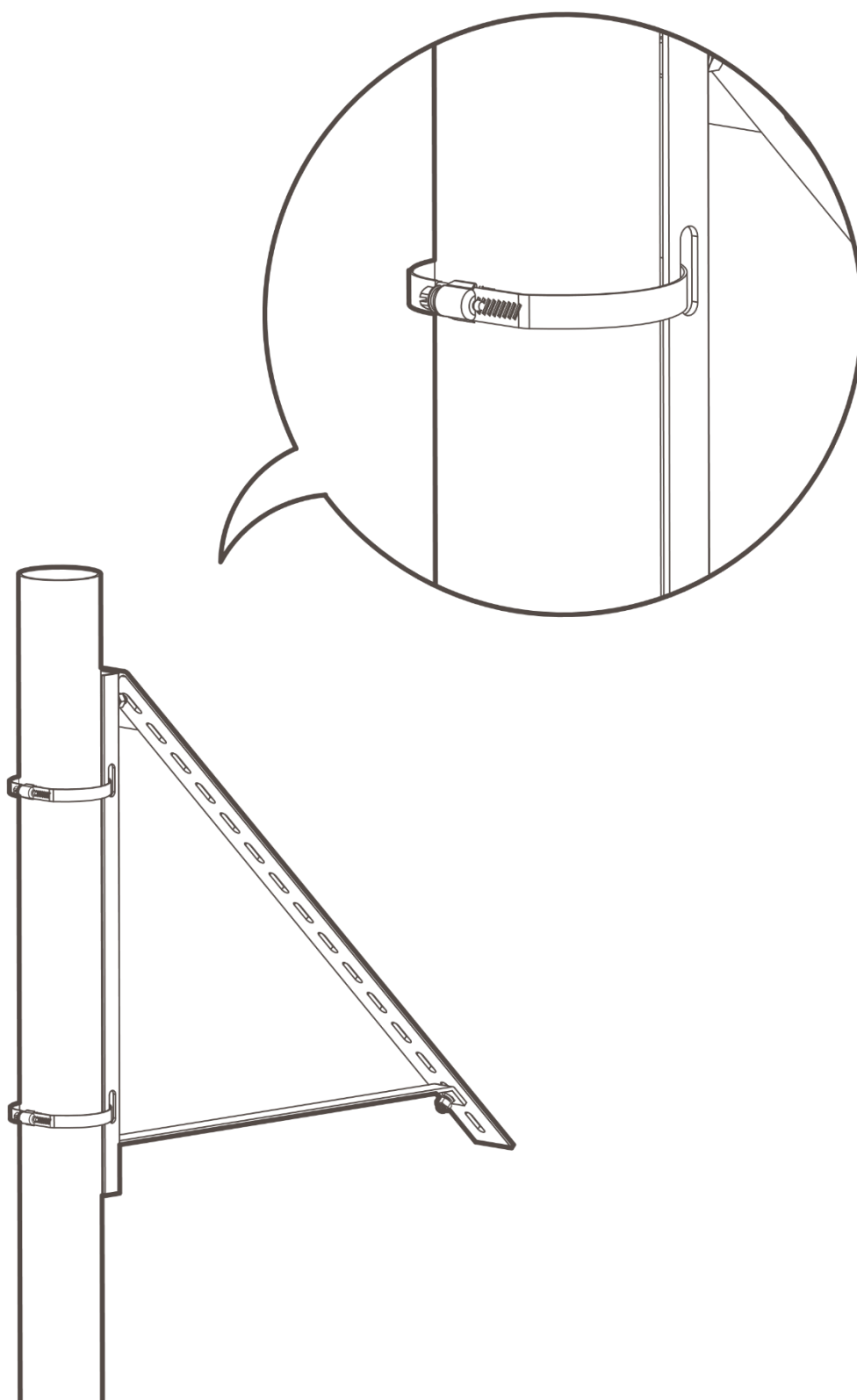


2

Mount the inclination adjustment bracket with M8 bolts:

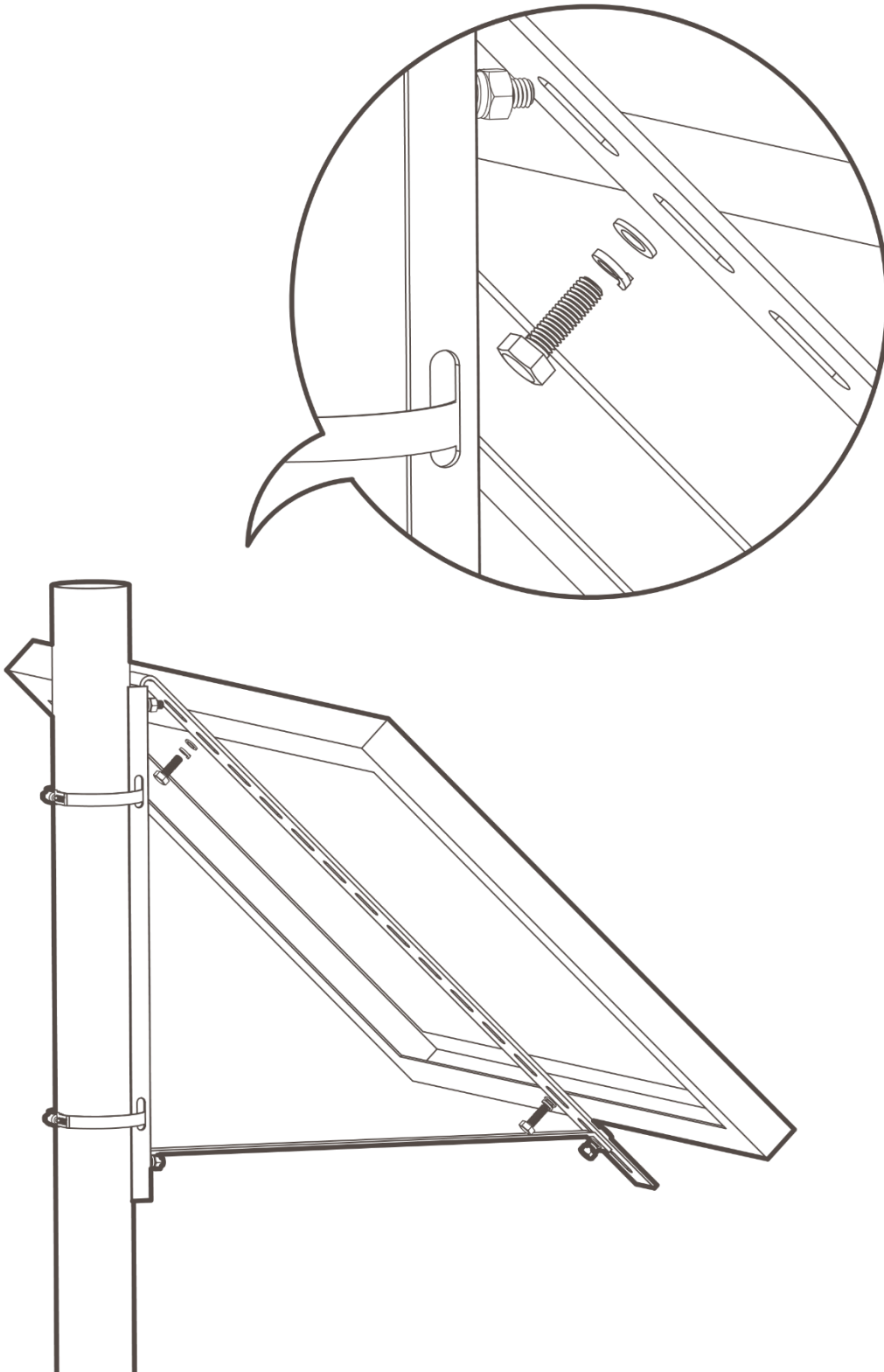


3 Fasten the brackets to the mast with the hose clamps

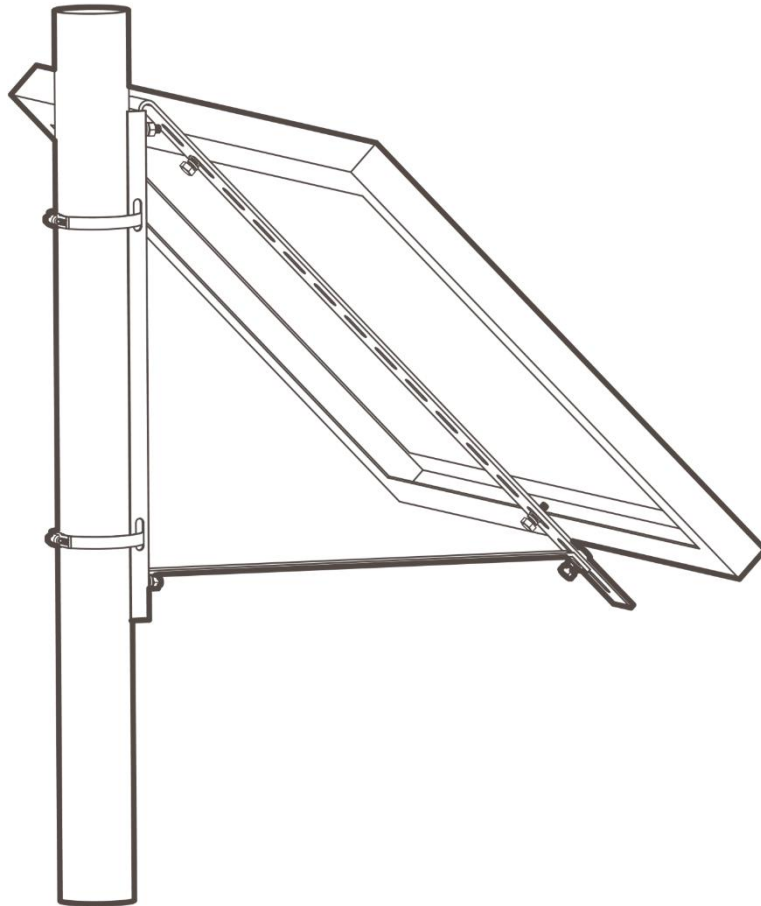


4

Mount the solar module to the panel bracket with M6 bolts



5 Tighten all screws and bolts to secure the system



Power your life !



SolarV GmbH
info@solarv.de
www.solarv.de