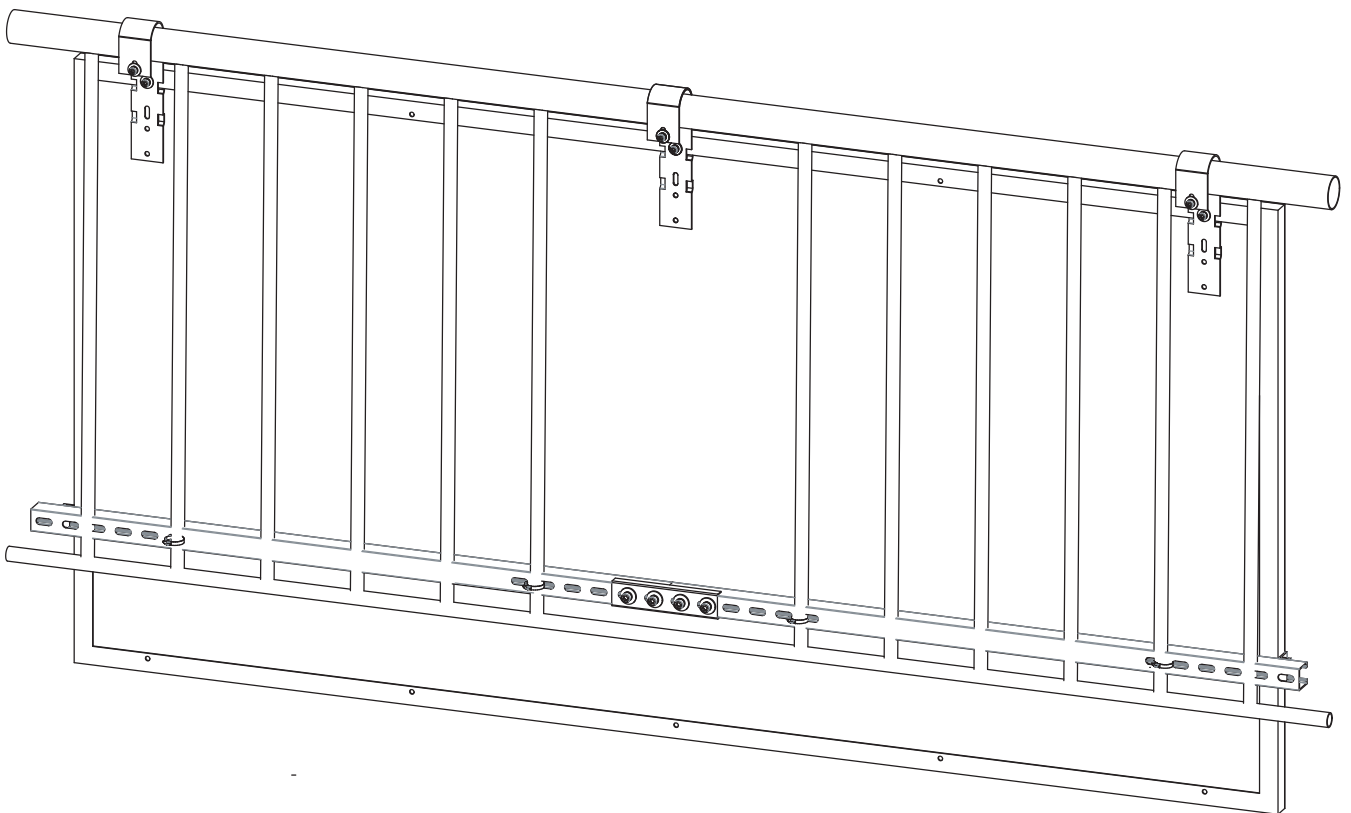


BALCONY SOLAR PANEL MOUNTING SYSTEM

EN

Alu PV balcony mount (vertical)



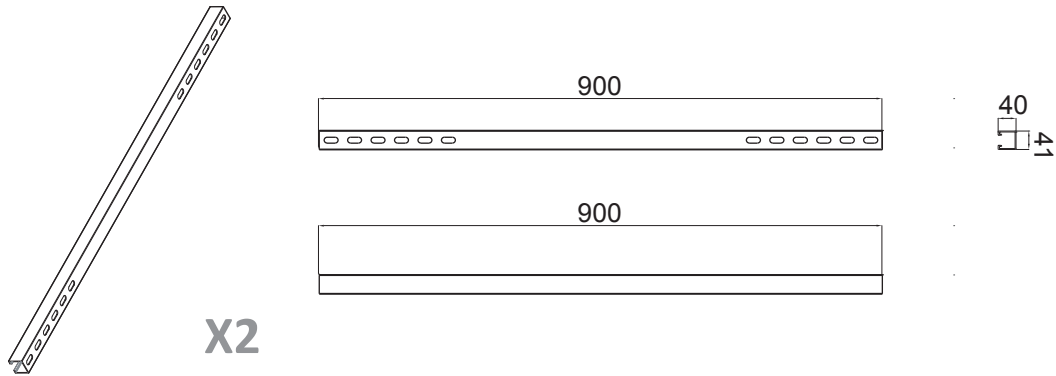
Art.-Nr. :5410006



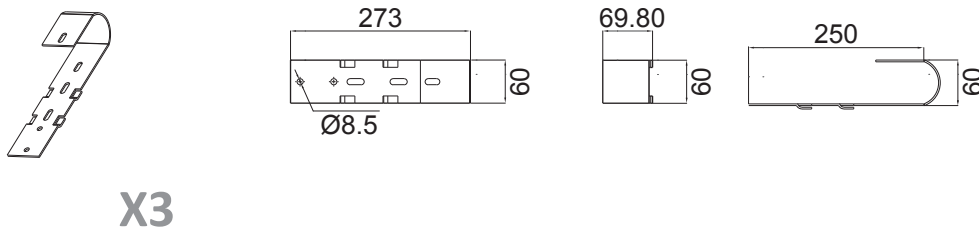
BALCONY SOLAR PANEL MOUNTING SYSTEM

Dimension(mm)

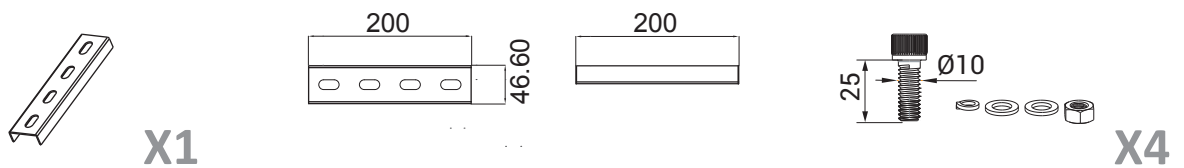
➤ Alu-rail



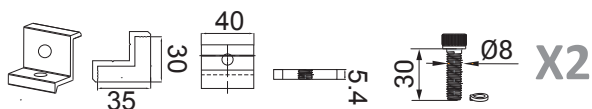
➤ J-Bracket



➤ Rail connector



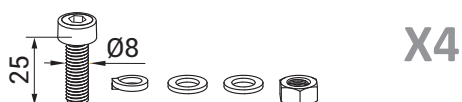
➤ End clamp



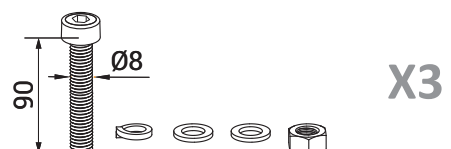
➤ Hose clamp



➤ M8*25 Hexagonal Bolt



➤ M8*90 Hexagonal Bolt



Prepare for assembly

Tools (not incl.)



M8 M10 Allen key

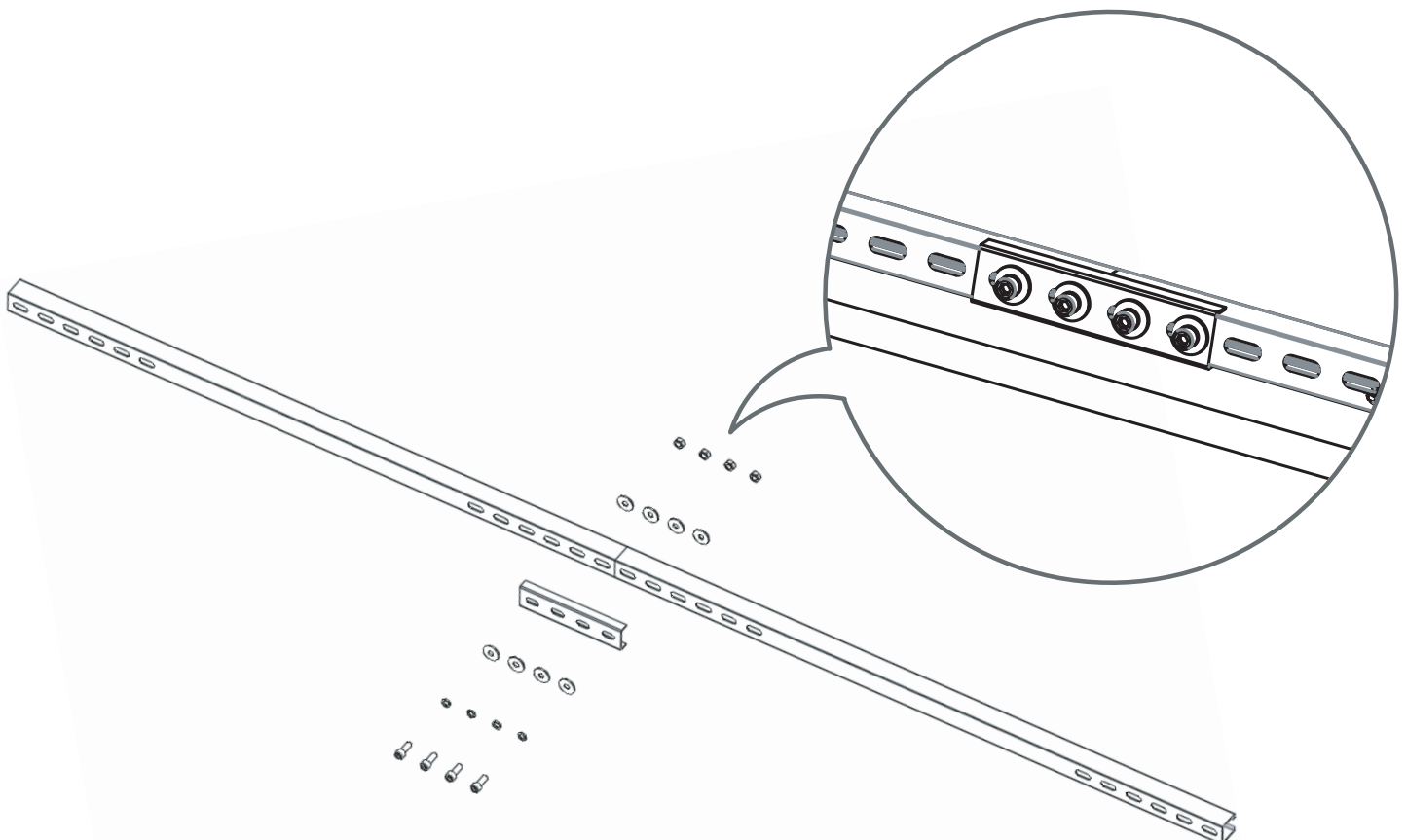
or



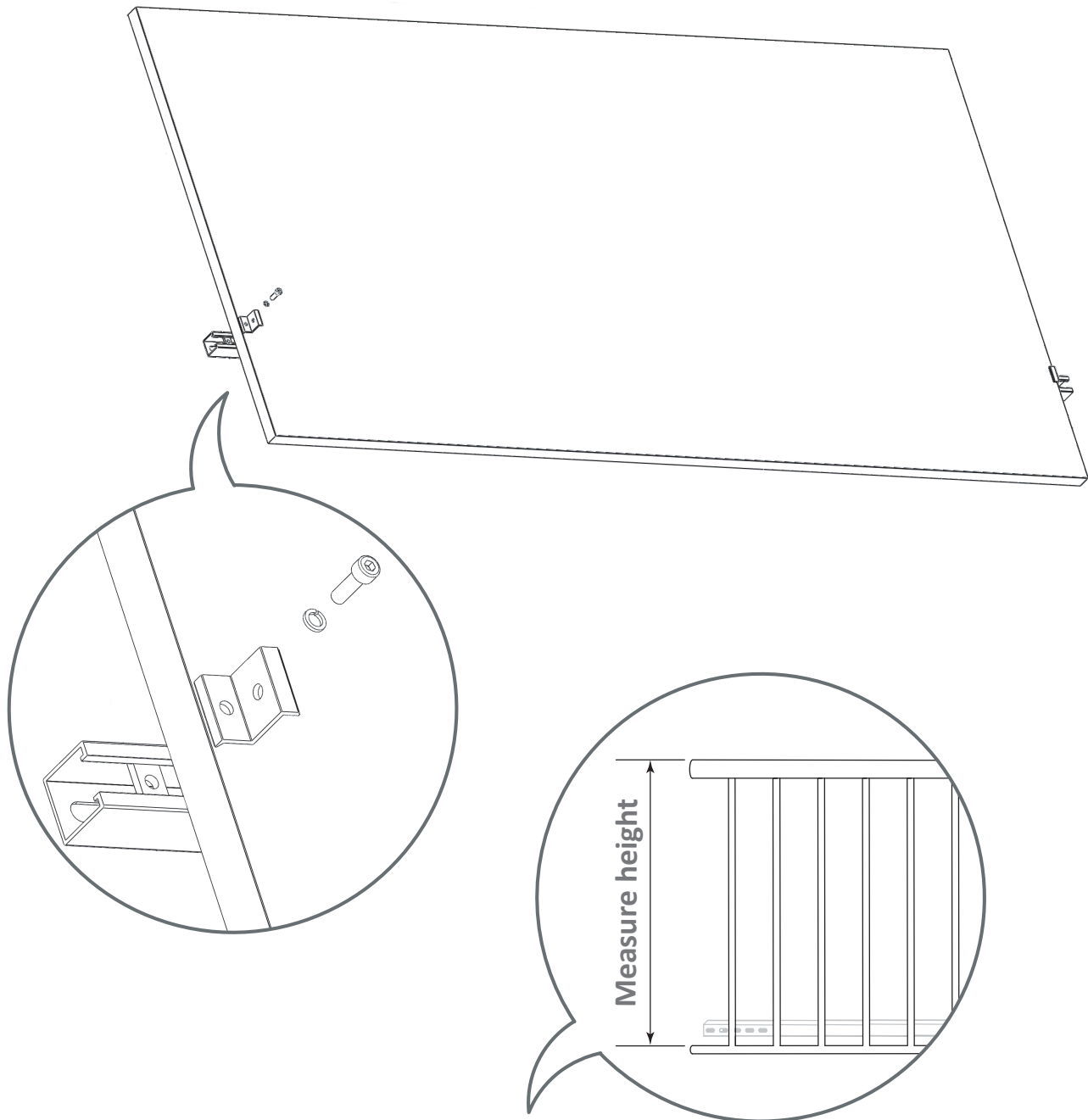
Cordless screwdriver

Assembly instructions

- 1 Use M10*25 bolt to connect the alu rails with rail connector

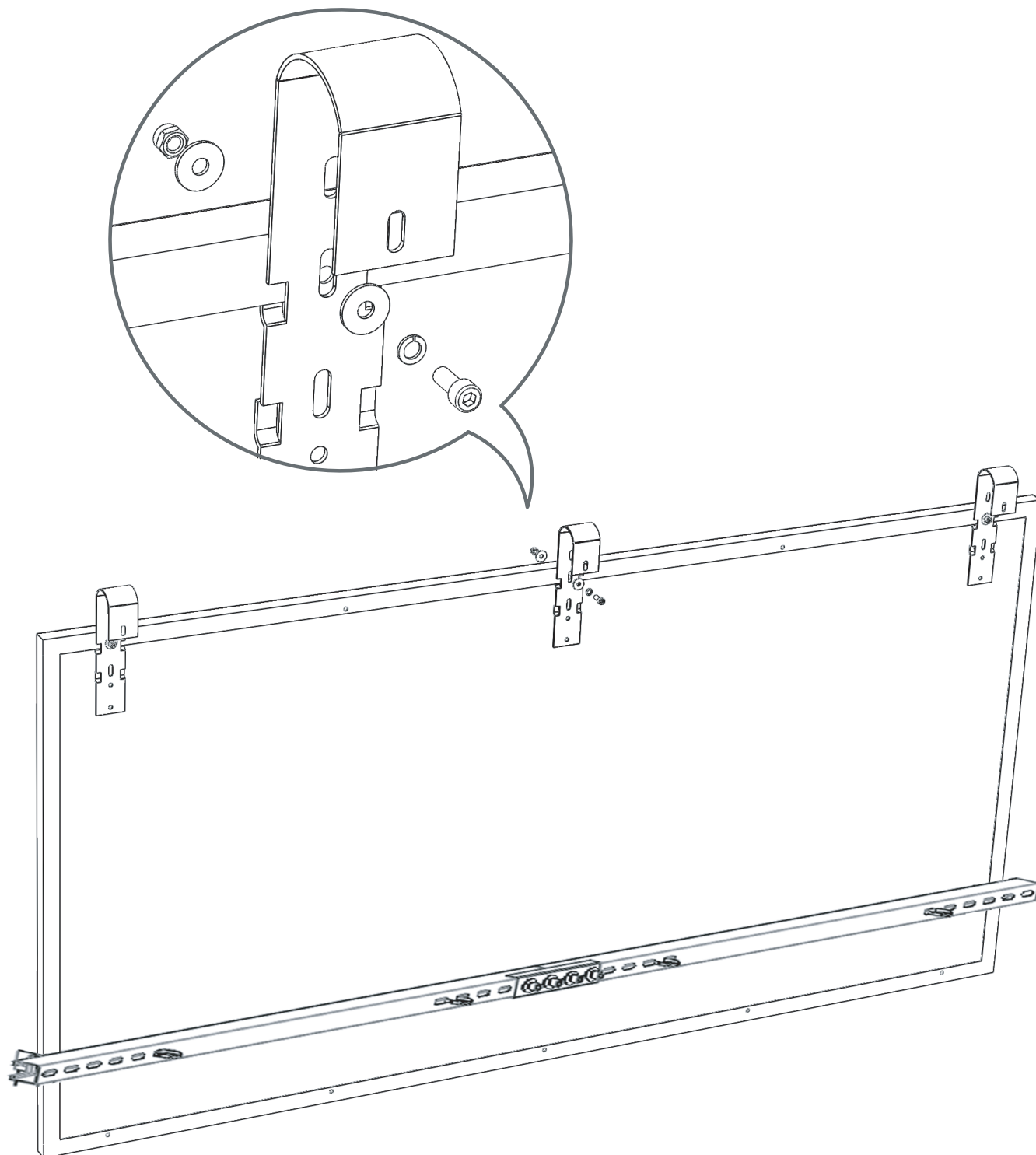


2 Mount the solar panel to the assembled rail with the end clamps and M8*30 bolts

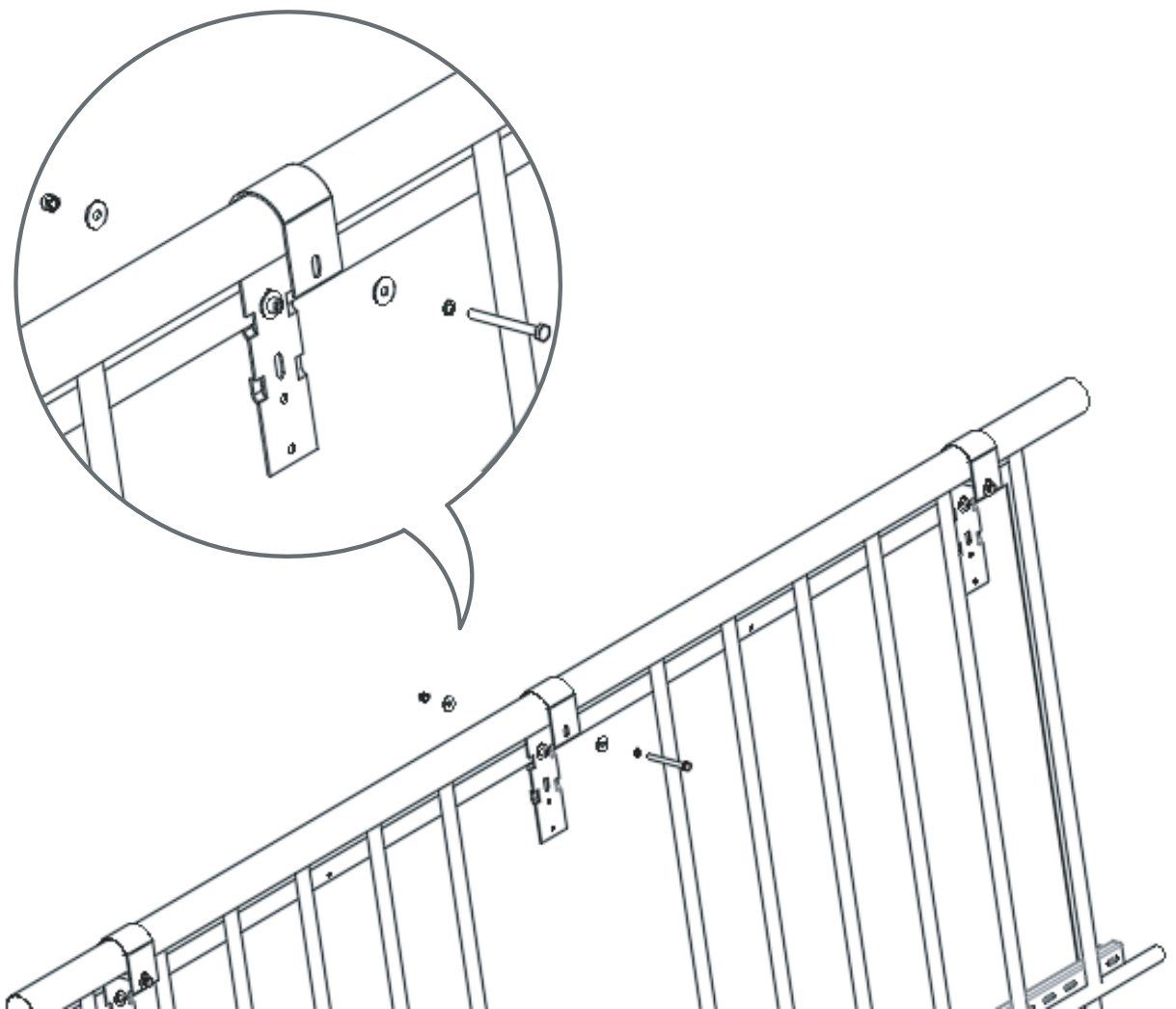


Tips: Please measure the height of the balcony railing before installation to confirm the location.

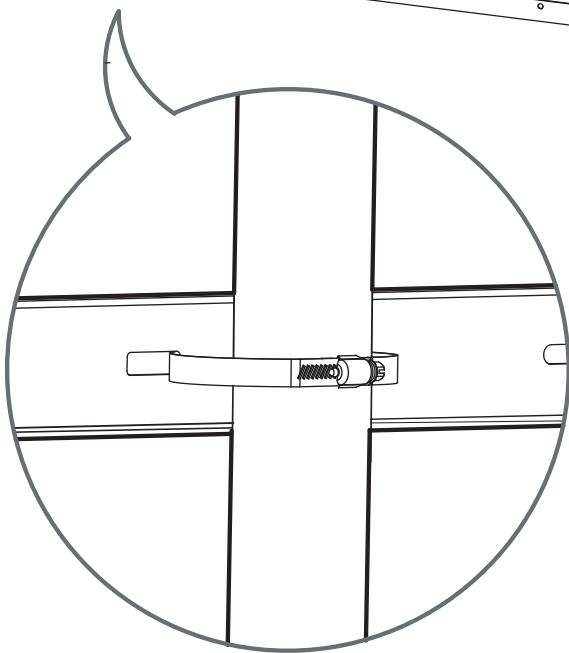
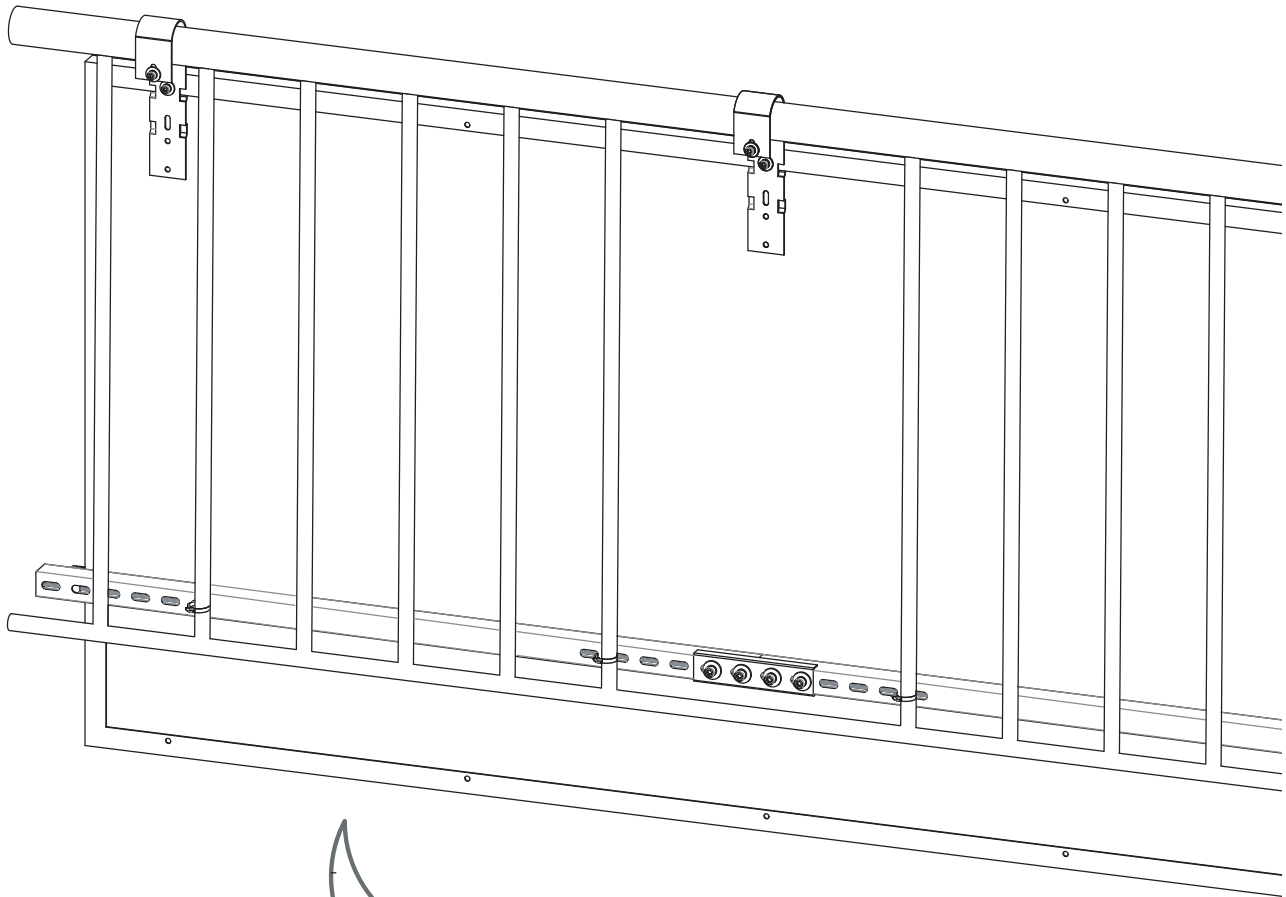
3 Mount the J-brackets onto the solar panel with the M8*25 bolts



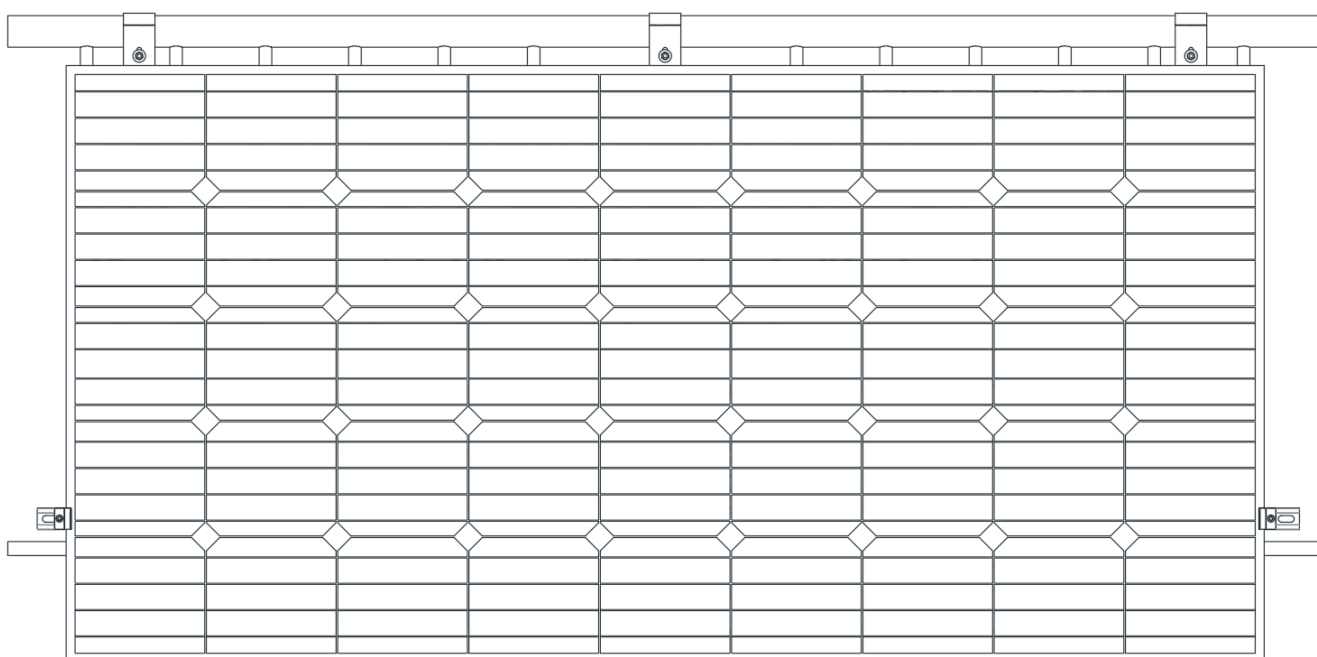
4 Hang the solar panel on the balcony railing with the M8*90 bolts to secure the J-brackets



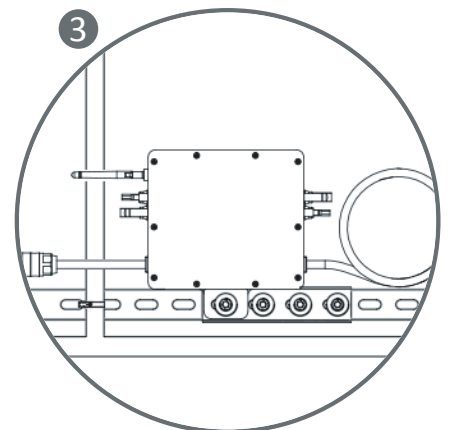
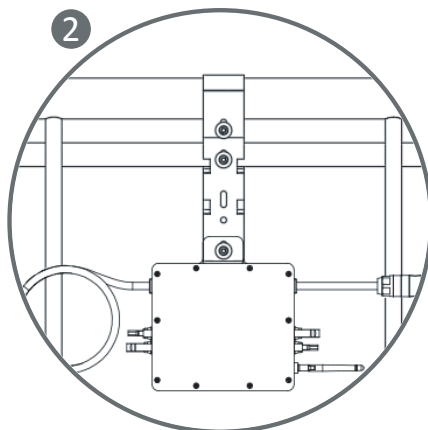
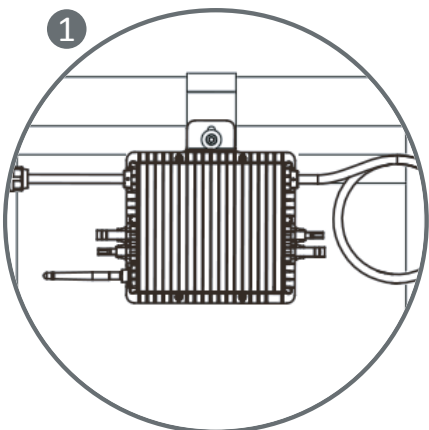
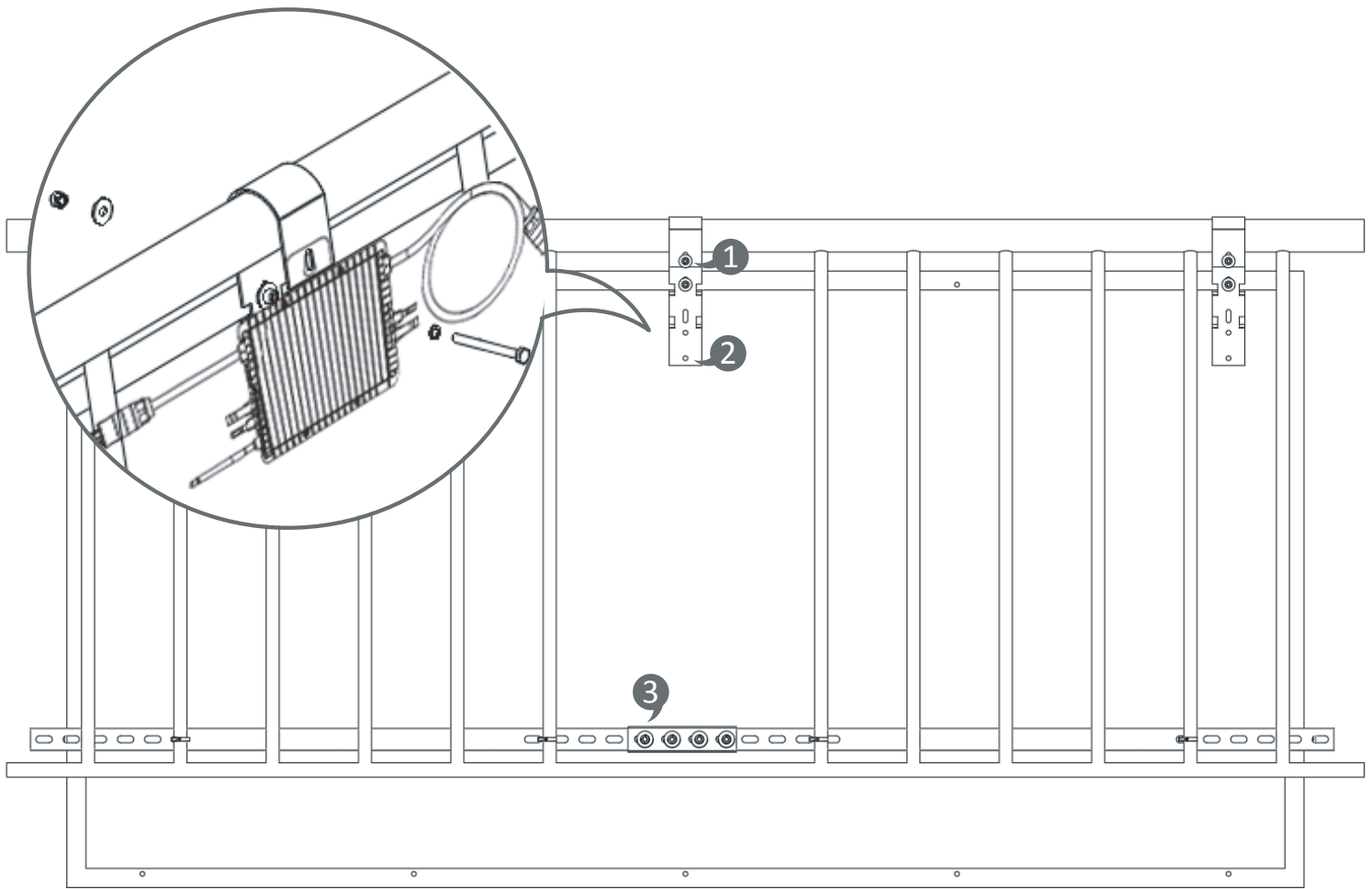
5 Mount the assembled rail onto the balcony with hose clamps

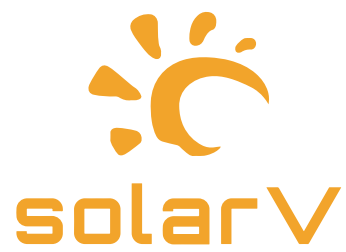


6 Tighten all screws and bolts to secure the system



7 The places marked 1,2 or 3 are the installation positions, Use M8*90 to connect J-bracket, micro-inverter and balcony rail





power your life



SolarV GmbH
info@solarv.de
www.solarv.de